

KD-SX850
KD-SX750

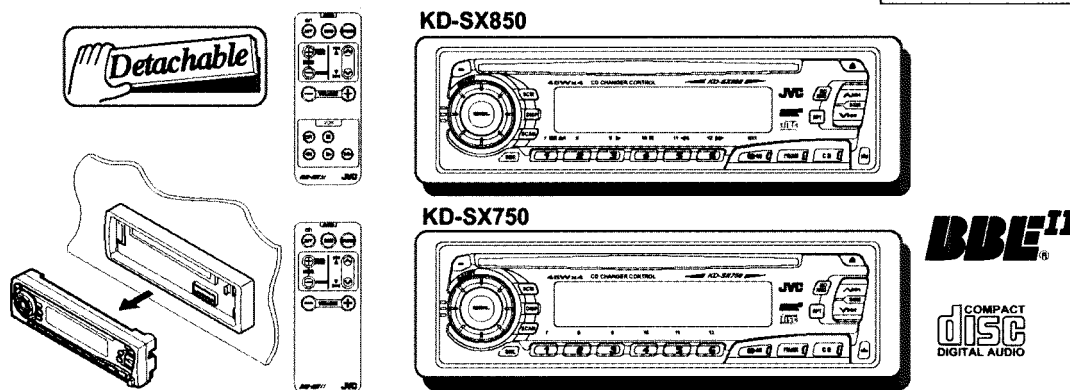
JVC

SERVICE MANUAL

CD RECEIVER

KD-SX850 KD-SX750

Area Suffix
J Northern America




Comparison table between the KD-SX850 and KD-SX750


Item	KD-SX850	KD-SX750
Line Input	O	X
VCR Control	O	X
Key-touch tone	O	X
Remote control unit	RM-RK32	RM-RK31

Contents

Safety precaution	1-2	Maintenance of laser pickup	2-10
Instructions	1-3 - 15	Replacement of laser pickup	2-10
Location of main parts	2-1	Description of major ICs	2-11
Disassembly method	2-2	Block diagram	2-28
Adjustment method	2-7	Standard schematic diagrams	2-29
Flow of functional		Printed circuit board	2-32 - 34
operation unit TOC read	2-8	Parts list	3-1 - 13

Safety precaution

 **CAUTION** Burrs formed during molding may be left over on some parts of the chassis. Therefore, pay attention to such burrs in the case of performing repair of this system.

 **CAUTION** Please use enough caution not to see the beam directly or touch it in case of an adjustment or operation check.

Instructions

KD-SX850
KD-SX750

JVC

CD RECEIVER

KD-SX850/SX750

RECEPTOR CON CD

KD-SX850/SX750

RECEPTEUR CD

KD-SX850/SX750

ENGLISH

ESPAÑOL

FRANÇAIS

Having TROUBLE with operation?

Please reset your unit

Refer to page of How to reset
Still having trouble??

USA ONLY

Call 1-800-252-5722

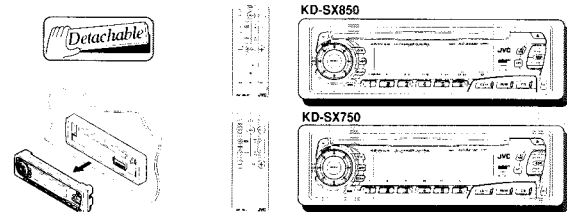
<http://www.jvcservice.com>

We can help you!

JVC
VICTOR COMPANY OF JAPAN, LIMITED

EN, SP, FR

1299HISFLEJES



BBE^{II}

COMPACT
DISC
DIGITAL AUDIO

For installation and connections, refer to the separate manual.
Para la instalación y las conexiones, refiérase al manual separado.
Pour l'installation et les raccordements, se référer au manuel séparé.

For customer Use:
Enter below the Model No. and
Serial No. which are located on
the top or bottom of the cabinet.
Retain this information for future
reference.

Model No. _____

Serial No. _____

FSUN3106-631
[J]

INSTRUCTIONS
MANUAL DE INSTRUCCIONES
MANUEL D'INSTRUCTIONS

INFORMATION (For USA)

This equipment has been tested and found to comply with the limits for a Class B digital device, pursuant to Part 15 of the FCC Rules. These limits are designed to provide reasonable protection against harmful interference in a residential installation. This equipment generates, uses, and can radiate radio frequency energy and, if not installed and used in accordance with the instructions, may cause harmful interference to radio communications. However, there is no guarantee that interference will not occur in a particular installation. If this equipment does cause harmful interference to radio or television reception, which can be determined by turning the equipment off and on, the user is encouraged to try to correct the interference by one or more of the following measures:

- Reorient or relocate the receiving antenna.
- Increase the separation between the equipment and receiver.
- Connect the equipment into an outlet on a circuit different from that to which the receiver is connected.
- Consult the dealer or an experienced radio/TV technician for help.

IMPORTANT FOR LASER PRODUCTS

Precautions:

1. **CLASS 1 LASER PRODUCT**
2. **DANGER:** Invisible laser radiation when open and interlock failed or defeated. Avoid direct exposure to beam.
3. **CAUTION:** Do not open the top cover. There are no user-serviceable parts inside. Leave all servicing to qualified service personnel.
4. **CAUTION:** This CD player uses invisible laser radiation, however, is equipped with safety switches to prevent radiation emission when unloading CDs. It is dangerous to defeat the safety switches.
5. **CAUTION:** Use of controls, adjustments or performance of procedures other than those specified herein may result in hazardous radiation exposure.

How to reset your unit

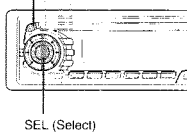
Press and hold both the SEL (Select) and ϕ /I/ATT (Standby/On/ATT) buttons at the same time for several seconds.

This will reset the built-in microcomputer.

NOTES: Your preset adjustments — such as preset channels or sound adjustments — will also be erased.

If a CD is in the unit, it will eject when you reset the unit. Pay attention not to drop the CD.

ϕ /I/ATT
(Standby/On/ATT)



BEFORE USE

- For safety...
- Do not raise the volume level too much, as this will block outside sounds, making driving dangerous.
- Stop the car before performing any complicated operations.

Temperature inside the car...

If you have parked the car for a long time in hot or cold weather, wait until the temperature in the car becomes normal before operating the unit.

Thank you for purchasing a JVC product. Please read all instructions carefully before operation, to ensure your complete understanding and to obtain the best possible performance from the unit.

CONTENTS

BASIC OPERATIONS	4
RADIO OPERATIONS	5
Listening to the radio	5
Storing stations in memory	6
FM station automatic preset: SSM	6
Manual preset	7
Tuning into a preset station	8
Other convenient tuner functions	9
Scanning broadcast stations	9
Selecting FM reception sound	9
Changing the AM/FM channel intervals	9
CD OPERATIONS	10
Playing a CD	10
Locating a track or a particular portion on a CD	11
Selecting CD playback modes	12
Prohibiting CD ejection	12
SOUND ADJUSTMENTS	13
Adjusting the sound	13
Turning on/off the BBE ^{II} function	14
Using the Sound Control Memory	15
Selecting and storing the sound modes	15
Recalling the sound modes	16
Canceling Advanced SCM	17
Storing your own sound adjustments	18
OTHER MAIN FUNCTIONS	19
Setting the clock	19
Selecting the level display	21
Turning on/off the key-touch tone (ONLY FOR KD-SX850)	22
To adjust the line input level (ONLY FOR KD-SX850)	23
Detaching the control panel	24
REMOTE OPERATIONS	25
Installing the battery	25
Using the remote controller	26
CD CHANGER OPERATIONS	27
Playing CDs	27
Selecting CD playback modes	29
EXTERNAL COMPONENT OPERATIONS	30
External component operations (ONLY FOR KD-SX750)	30
Selecting the external component to use	31
Playing VCRs (ONLY FOR KD-SX850)	32
MAINTENANCE	33
Handling CDs	33
TROUBLESHOOTING	34
SPECIFICATIONS	35

BASIC OPERATIONS

ENGLISH



Note:
When you use this unit for the first time, set the built-in clock correctly, see page 19.

1



Turn on the power.
"HELLO" appears on the display.

Note on One-Touch Operation:
When you select a source in step 2 below, the power automatically comes on. You do not have to press this button to turn on the power.

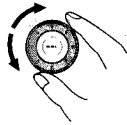
2



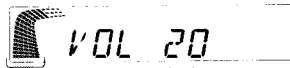
Select the source.

To operate the tuner, see pages 5 – 9.
To operate the CD player, see pages 10 – 12.
To operate the CD changer, see pages 27 – 29.
To operate the external component, see pages 30 – 32.

3



Adjust the volume.



Volume level indicator
Volume level appears

4

Adjust the sound as you want (see pages 13 – 18).

To drop the volume in a moment

Press **ATT** briefly while listening to any source. "ATT" starts flashing on the display, and the volume level will drop in a moment.

To resume the previous volume level, press the button briefly again.

To turn off the power

Press **ATT** for more than 1 second. "SEE YOU" appears, then the unit turns off.

4

ENGLISH

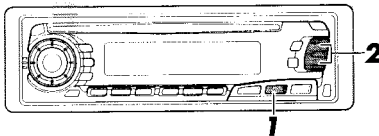
Storing stations in memory

You can use one of the following two methods to store broadcasting stations in memory.

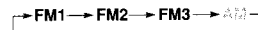
- Automatic preset of FM stations: SSM (Strong-station Sequential Memory)
- Manual preset of both FM and AM stations

FM station automatic preset: SSM

You can preset 6 local FM stations in each FM band (FM1, FM2, and FM3).



1

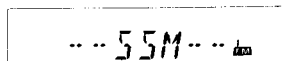


Select the FM band number (FM1, FM2 or FM3) you want to store FM stations into.

2



Press and hold the both buttons for more than 2 seconds.



"SSM" appears, then disappears when automatic preset is over.

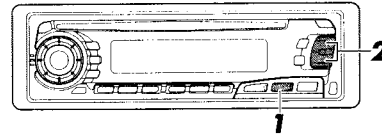
Local FM stations with the strongest signals are searched and stored automatically in the band number you have selected (FM1, FM2 or FM3). These stations are preset in the number buttons — No. 1 (lowest frequency) to No. 6 (highest frequency).

When automatic preset is over, the station stored in number button 1 will be automatically tuned in.

6

RADIO OPERATIONS

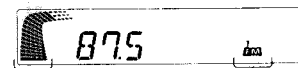
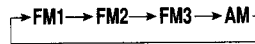
Listening to the radio



1



Select the band (FM1, FM2, FM3 or AM).
You can select any one of FM1, FM2, and FM3 to listen to an FM station.



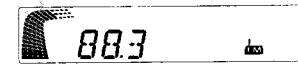
Audio level indicator
selected band appears

2



To search stations of higher frequencies.
To search stations of lower frequencies.

Start searching a station.
When a station is received, searching stops.



To stop searching before a station is received, press the same button you have pressed for searching.

To tune in a particular frequency without searching:

1 Select the band (FM or AM).

Press FM/AM repeatedly.

2 Press and hold **▲** or **▼** until "M" starts flashing on the display.

Now you can manually change the frequency while "M" is flashing.

3 Press **▲** or **▼** repeatedly until the frequency you want is reached.

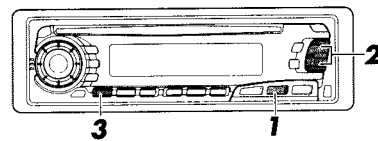
• If you hold down the button, the frequency keeps changing until you release the button.

5

Manual preset

You can preset up to 6 stations in each band (FM1, FM2, FM3 and AM) manually.

EXAMPLE: Storing an FM station of 88.3 MHz into the preset number 1 of the FM1 band



1



Select the FM1 band.



2



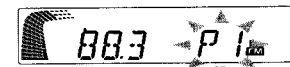
Tune into a station of 88.3 MHz.
See page 5 to tune into a station.



3



Press and hold the button for more than 2 seconds.



"P1" flashes for a few seconds.

4

Repeat the above procedure to store other stations into other preset numbers.

Notes:

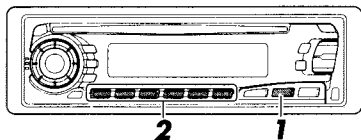
- A previously preset station is erased when a new station is stored in the same preset number.
- Preset stations are erased when the power supply to the memory circuit is interrupted (for example, during battery replacement). If this occurs, preset the stations again.

7

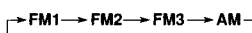
ENGLISH

Tuning into a preset station

You can easily tune into a preset station. Remember that you must store stations first. If you have not stored them yet, see pages 6 and 7.



1 Select the band (FM1, FM2, FM3 or AM) you want.



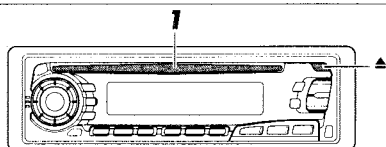
2 Select the number (1 – 6) for the preset station you want.



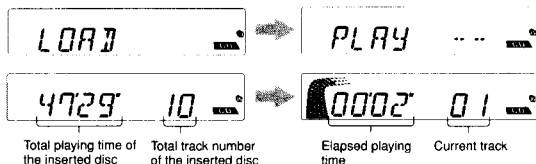
8

CD OPERATIONS

Playing a CD



1 Insert a disc into the loading slot. The unit turns on, draws a CD and starts playback automatically.
• When a CD is inserted upside down, "NO DISC" appears on the display and the CD automatically ejects.



Note on One-Touch Operation:
When a CD is already in the loading slot, pressing CD turns on the unit and starts playback automatically.

CAUTION on Volume Setting
CDs produce very little noise compared with other sources. If the volume level is adjusted for the tuner, for example, the speakers may be damaged by the sudden increase in the output level. Therefore, lower the volume before playing a CD and adjust it as required during playback.

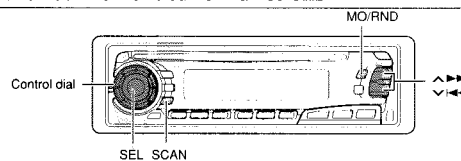
To stop play and eject the CD

Press **▲**.
CD play stops and the CD automatically ejects from the loading slot. If you change the source to FM/AM or CD-CH, the CD play also stops (without ejecting the CD this time).
• If the ejected disc is not removed for about 15 seconds, the disc is automatically inserted again into the loading slot to protect it from dust. (CD play will not start this time.)
• You can eject the CD even when the unit is turned off.

10

ENGLISH

Other convenient tuner functions



Scanning broadcast stations

When you press SCAN while listening to the radio, station scanning starts. Each time a broadcast is tuned in, scanning stops for about 5 seconds (tuned frequency number flashes on the display), and you can check what program is now being broadcasted.

If you want to listen to that program, press the same button again to stop scanning.

Selecting FM reception sound

When an FM stereo broadcast is hard to receive:
Press MO/RND (Mono/Random) while listening to an FM stereo broadcast. The sound you hear becomes monaural but reception will be improved.



Lights up when receiving an FM broadcast in stereo.
To restore the stereo effect, press the same button again.

Changing the AM/FM channel intervals

When using this unit in an area other than North or South America:
When this unit is shipped from the factory, the channel intervals are set to 10 kHz for AM and 200 kHz for FM. You can change the channel intervals by following the procedure below.

1 Press SEL (select) for more than 2 seconds.
"CLOCK H", "CLOCK M", "SCM LINK", "LEVEL", "BEEP**", "AREA" or "LINE IN*" appears on the display.

* Displayed only when one of the following sources is selected—FM, AM and CD. (only for KD-SX750)
** (only for KD-SX850)

2 If "AREA" does not appear, press **▲▶▶** or **▼◀◀** until it appears.

3 Rotate the control dial clockwise.
"AREA EU" appears and the channel intervals are set to 9 kHz for AM and 50 kHz (for manual tuning) / 100 kHz (for searching) for FM.

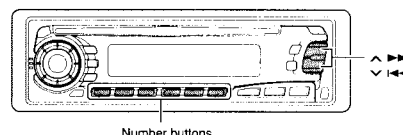
To reset to the factory setting, follow the above step 1 and 2, then rotate the control dial counterclockwise in step 3 ("AREA US" appears on the display).

AREA EU: Select this when used in an area other than North and South America.
AREA US: Select this when used in North or South America.

9

ENGLISH

Locating a track or a particular portion on a CD



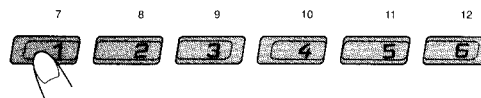
To fast forward or reverse the track

Press and hold **▲▶▶**, while playing a CD, to fast forward the track.
Press and hold **▼◀◀**, while playing a CD, to reverse the track.

To go to the next track or the previous track

Press **▲▶▶** briefly, while playing a CD, to go ahead to the beginning of the next track. Each time you press the button consecutively, the beginning of the next tracks is located and played back.
Press **▼◀◀** briefly, while playing a CD, to go back to the beginning of the current track. Each time you press the button consecutively, the beginning of the previous tracks is located and played back.

To go to a particular track directly

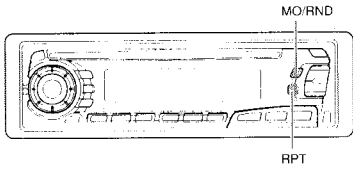


Press the number button corresponding to the track number to start its playback.

- To select a track number from 1 – 6:
Press 1 (7) – 6 (12) briefly.
- To select a track number from 7 – 12:
Press and hold 1 (7) – 6 (12) for more than 1 second.

11

Selecting CD playback modes



To play back tracks at random (Random Play)

You can play back all tracks on the CD at random.



Each time you press MO/RND (Mono/Random) while playing a CD, CD random play mode turns on and off alternatively. When the random mode is turned on, the RND indicator lights up on the display and a track randomly selected starts playing.

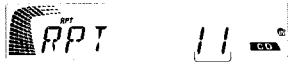


To play back tracks repeatedly (Repeat Play)

You can play back the current track repeatedly.



Each time you press RPT (Repeat) while playing a CD, CD repeat play mode turns on and off alternatively. When the repeat mode is turned on, the RPT indicator lights up on the display.



Track number of the currently playing track

Prohibiting CD ejection

You can prohibit the CD ejection and can "lock" a CD in the loading slot. Press and hold CD and \blacktriangle for more than 2 seconds. "EJECT" flashes on the display for about 5 seconds, and the CD is "locked."

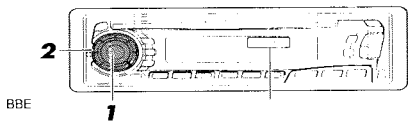
To cancel the prohibition and "unlock" the CD, press and hold CD and \blacktriangle for more than 2 seconds again. "EJECT" appears on the display, and the CD ejects from the loading slot.

Turning on/off the BBE^{II} function

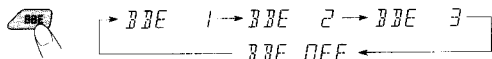
The BBE^{II} function restores the brilliance and clarity of the original live sound in recording, broadcasts, etc.

When a speaker reproduces sound, it introduces frequency-dependent phase shifting, causing high-frequency sounds to take longer to reach the ear than low frequency sounds. The BBE^{II} function adjusts the phase relationship between the low, mid and high frequencies by adding a progressively longer delay time to the low and mid frequencies, so that all frequencies reach the listener's ears at the proper time.

In addition, the BBE^{II} function boosts low and high frequencies, which loudspeakers tend to be less efficient in reproducing, through dynamic, program-driven augmentation. When combined with the phase compensation feature, the resulting sound has a clearer, more finely detailed "live" presence.



Each time you press BBE, the BBE^{II} function changes as follows.



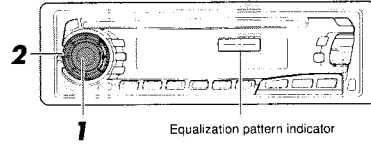
As the number gets higher, the BBE^{II} function becomes stronger. The initial setting is BBE 2.

* Under license from BBE Sound, Inc.
BBE^{II} is a trademark of BBE Sound, Inc.

SOUND ADJUSTMENTS

Adjusting the sound

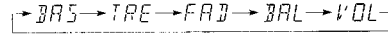
You can adjust the sound characteristics to your preference.



1



Select the item you want to adjust.

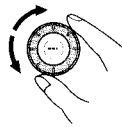


Indication	To do:	Range
BAS (Bass)	Adjust the bass	-06 (min.) — +06 (max.)
TRE (Treble)	Adjust the treble	-06 (min.) — +06 (max.)
FAD (Fader)*	Adjust the front and rear speaker balance	R06 (rear only) — F06 (front only)
BAL (Balance)	Adjust the left and right speaker balance	L06 (left only) — R06 (right only)
VOL (Volume)	Adjust the volume	00 (min.) — 50 (max.)

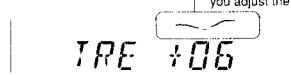
Note:

* If you are using a two-speaker system, set the fader level to "00."

2



Adjust the level.



Equalization pattern changes as you adjust the bass or treble.

Note:

Normally the control dial works as the volume control. So you do not have to select "VOL" to adjust the volume level.

Using the Sound Control Memory

You can select and store a preset sound adjustment suitable to each playback source. (Advanced SCM)

Selecting and storing the sound modes

Once you select a sound mode, it is stored in memory, and will be recalled every time you select the same source. A sound mode can be stored each of the following sources — FM1, FM2, FM3, AM, CD, CD changer and external components.

• If you do not want to store the sound mode separately for each playback source, but want to use the same sound mode for all the sources, see "Canceling Advanced SCM" on page 17.

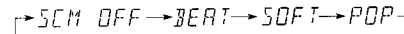


1



Select the sound mode you want.

Each time you press the button, the sound mode changes as follows.



• If the "Link" indicator is lit on the display (with "SCM LINK" set to "LINK ON" — see page 17), the selected sound mode can be stored in memory for the current source, and the effect applies to the current source.

• If the "Link" indicator is NOT lit on the display (with "SCM LINK" set to "LINK OFF"), the selected sound mode effect applies to any source.

Indication	For:	Preset values		
		Bass	Treble	BBE ^{II}
SCM OFF	(Flat sound)	00	00	BBE 2
BEAT	Rock or disco music	+02	00	BBE 2
SOFT	Quiet background music	+01	-03	Off
POP	Light music	+04	+01	Off

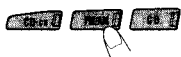


Recalling the sound modes

ENGLISH

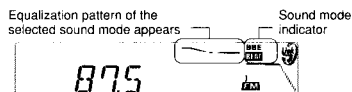


1



Select the source while the "Link" indicator is lit on the display.

The "Link" indicator starts flashing, and the sound mode stored in memory for the selected source is recalled.



Notes:

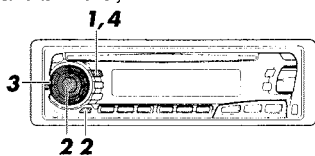
- You can adjust each sound mode to your preference, and store it in memory. If you want to adjust and store your original sound mode, see "Storing your own sound adjustments" on page 18.
- To adjust the bass and treble reinforcement levels or to turn on/off the BBE[®] function temporarily, see pages 13 and 14. (Your adjustments will be cancelled if another source is selected.)



Storing your own sound adjustments

ENGLISH

You can adjust the sound modes (BEAT, SOFT, POP; see page 15) to your preference and store your own adjustments in memory.



1



Call up the sound mode you want to adjust. See page 15 for details.

2



To adjust the bass or treble sound level
Select "BAS" or "TRE."



To turn on or off the BBE[®] function
See page 14

3



Adjust the bass or treble level.
See page 13 for details.

4



Press and hold SCM until the sound mode you have selected in step 1 flashes on the display.
Your setting is stored in memory.

5

Repeat the same procedure to store other settings.

To reset to the factory settings

Repeat the same procedure and reassign the preset values listed in the table on page 15.



Canceling Advanced SCM

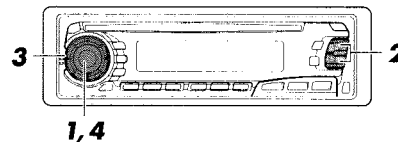
ENGLISH

You can cancel the Advanced SCM (Sound Control Memory), and unlink the sound modes and the playback sources.

When shipped from the factory, a different sound mode can be stored in memory for each source so that you can change the sound modes simply by changing the sources.

LINK ON: Advanced SCM (different SCMs for different sources)

LINK OFF: Conventional SCM (one SCM for all sources)



1



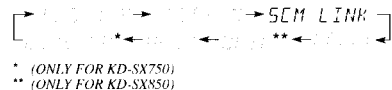
Press and hold SEL for more than 2 seconds. "CLOCK H", "CLOCK M", "SCM LINK", "LEVEL", "BEEP**", "AREA" or "LINE IN" appears on the display.

* Displayed only when one of the following sources is selected — FM, AM and CD. (ONLY FOR KD-SX750)
** (ONLY FOR KD-SX850)

2



Select "SCM LINK" if not shown on the display.



* (ONLY FOR KD-SX750)
** (ONLY FOR KD-SX850)

3



Select the desired mode — "LINK ON" or "LINK OFF".

4



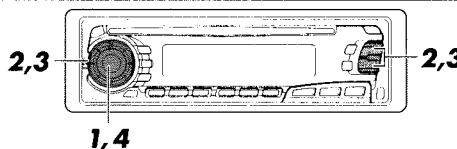
Finish the setting.

OTHER MAIN FUNCTIONS



Setting the clock

ENGLISH



1



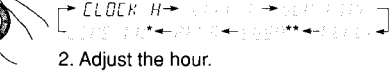
Press and hold SEL for more than 2 seconds. "CLOCK H", "CLOCK M", "SCM LINK", "LEVEL", "BEEP**", "AREA" or "LINE IN" appears on the display.

* Displayed only when one of the following sources is selected — FM, AM and CD. (ONLY FOR KD-SX750)
** (ONLY FOR KD-SX850)

2



Set the hour.
1. Select "CLOCK H" if not shown on the display.



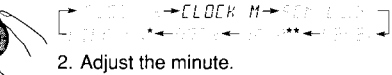
2. Adjust the hour.

* (ONLY FOR KD-SX750)
** (ONLY FOR KD-SX850)

3



Set the minute.
1. Select "CLOCK M".



2. Adjust the minute.

* (ONLY FOR KD-SX750)
** (ONLY FOR KD-SX850)

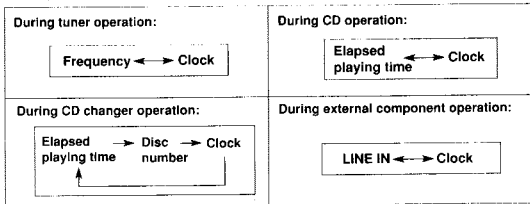
4



Finish the setting.



To check the current clock time (changing the display mode)
Press DISP repeatedly. Each time you press the button, the display mode changes as follows.

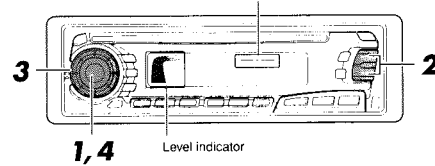


• If the unit is not in use when you press DISP, the power turns on, the clock time is shown for 5 seconds, then the power turns off.



Selecting the level display

You can select the level display according to your preference. When shipped from the factory, "AUDIO 2" is selected.
AUDIO1: Shows the audio level indicator and the equalization pattern indicator.
AUDIO2: Alternates "AUDIO 1" setting and illumination display.
OFF: Erases the audio level indicator and the equalization pattern indicator.



1 Press and hold SEL for more than 2 seconds. "CLOCK H," "CLOCK M," "SCM LINK," "LEVEL," "BEEP**," "AREA" or "LINE IN" appears on the display.

* Displayed only when one of the following sources is selected — FM, AM and CD. (ONLY FOR KD-SX750)
** (ONLY FOR KD-SX850)

2 Select "LEVEL" if not shown on the display.

* (ONLY FOR KD-SX750)
** (ONLY FOR KD-SX850)

3 Select the desired mode — "AUDIO1", "AUDIO2" or "OFF".

4 Finish the setting.

Turning on/off the key-touch tone

This section is **ONLY FOR KD-SX850**. You can deactivate the key-touch tone if you do not want to make it beep when you press a button. When shipped from the factory, the key-touch tone is activated.

- ON: Activates the key-touch tone.
- OFF: Deactivates the key-touch tone.



1 Press and hold SEL for more than 2 seconds. "CLOCK H," "CLOCK M," "SCM LINK," "LEVEL," "BEEP" or "AREA" appears on the display.

2 Select "BEEP" if not shown on the display.

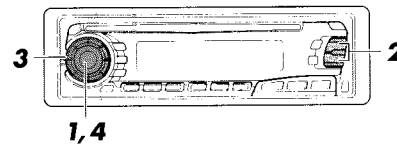
3 Select the desired mode — "ON" or "OFF".

4 Finish the setting.



To adjust the line input level

This section is **ONLY FOR KD-SX850**. Adjust the line input level properly when an external component is connected to the LINE IN jacks. When shipped from the factory, the line input level is set at level 00. If the input level of the connected component is not high enough, increase the input level properly. Without adjusting the line input level, you may be surprised at a loud sound when you change the source from the external component of the other.



1 Press and hold SEL for more than 2 seconds. "CLOCK H," "CLOCK M," "SCM LINK," "LEVEL," "BEEP", "AREA" or "LINE ADJ" appears on the display.

* Displayed only when the EXT source is selected.

2 Select "LINE ADJ" if not shown on the display.

3 Select the desired mode — "00" to "05".

4 Finish the setting.

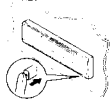
Detaching the control panel

You can detach the control panel when leaving the car. When detaching or attaching the control panel, be careful not to damage the connectors on the back of the control panel and on the panel holder.

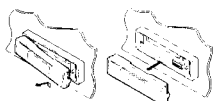
How to detach the control panel

Before detaching the control panel, be sure to turn off the power.

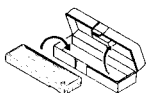
- 1 Unlock the control panel.



- 2 Lift and pull the control panel out of the unit.



- 3 Put the detached control panel into the case provided.

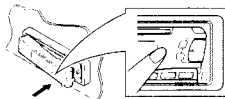


How to attach the control panel

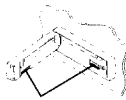
- 1 Insert the left side of the control panel into the groove on the panel holder.



- 2 Press the right side of the control panel to fix it to the panel holder.



Note on cleaning the connectors:
If you frequently detach the control panel, the connectors will deteriorate. To minimize this possibility, periodically wipe the connectors with a cotton swab or cloth moistened with alcohol, being careful not to damage the connectors.



REMOTE OPERATIONS

Remote sensor

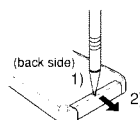


Before using the remote controller:

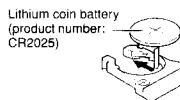
- Aim the remote controller directly at the remote sensor on the main unit. Make sure there is no obstacle in between.
- Do not expose the remote sensor to strong light (direct sunlight or artificial lighting).

Installing the battery

When the controllable range or effectiveness of the remote controller decreases, replace the battery.



1. Remove the battery holder.
 - 1) Push out in the direction indicated by the arrow using a ball point pen or a similar tool.
 - 2) Remove the battery holder.



2. Place the battery. Slide the battery into the holder with the + side facing upwards so that the battery is fixed in the holder.

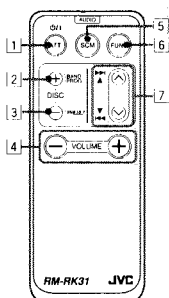


3. Return the battery holder. Insert again the battery holder pushing it until you hear a clicking sound.

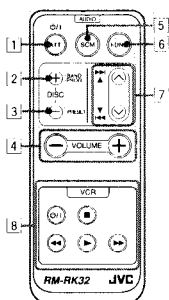
WARNING:

- Store the batteries in a place which children cannot reach.
- If a child accidentally swallows the battery, immediately consult a doctor.
- Do not re-charge, short, disassemble or heat the batteries or dispose of in a fire.
- Doing any of these things may cause the batteries to give off heat, crack or start a fire.
- Do not leave the batteries with other metallic materials.
- Doing this may cause the batteries to give off heat, crack or start a fire.
- When throwing away or saving the batteries, wrap in tape and insulate; otherwise, it may cause the batteries to give off heat, crack or start a fire.
- Do not poke the batteries with tweezers or similar tools.
- Doing this may cause the batteries to give off heat, crack or start a fire.

Using the remote controller



For KD-SX750



For KD-SX850

- 1 Functions the same as the ϕ /I/ATT button on the main unit.
- 2 • Functions as the BAND button while listening to the radio. Each time you press the button, the band changes.
 - Functions as the DISC + button while listening to the CD changer. Each time you press the button, the disc number increases, and the selected disc starts playing.
 - Does not function as the PROG button.
- 3 • Functions as the PRESET button while listening to the radio. Each time you press the button, the preset station number increases, and the selected station is tuned in.
 - Functions as the DISC - button while listening to the CD changer. Each time you press the button, the disc number decreases, and the selected disc starts playing.
- 4 Functions the same as the control dial on the main unit.

Note: This button does not function for the preferred settings mode adjustment.
- 5 Selects the sound mode. Each time you press SCM (Sound Control Memory), the mode changes.
- 6 Selects the source. Each time you press FUNC (function), the source changes.
 - Searches stations while listening to the radio.
 - Fast forwards or reverses the track if pressed and held while listening to a CD.
 - Skips to the beginning of the next tracks or goes back to the beginning of the current (or previous tracks) if pressed briefly while listening to a CD.
- 8 VCR (KZ-V10) (ONLY FOR KD-SX850)
 - ϕ /I : Turns on or off a VCR if pressed.
 - ■ : Stops playing a tape if pressed.
 - \blacktriangleleft : Rewinds a tape.
 - \blacktriangleright : Starts playing a tape if pressed.
 - $\blacktriangleright\blacktriangleright$: Fast winds a tape.

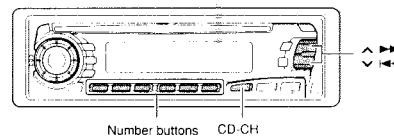
CD CHANGER OPERATIONS

We recommend that you use one of the CH-X series with your unit. If you have another CD automatic changer, consult your JVC car audio dealer for connections. For example, if your CD automatic changer is one of the KD-MK series, you need a cord (KS-U15K) for connecting it to this unit.

Before operating your CD automatic changer:

- Refer also to the instructions supplied with your CD changer.
- If no discs are in the magazine of the CD changer or the discs are inserted upside down, "NO CD" or "NO DISC" will appear on the display. If this happens, remove the magazine and set the discs correctly.
- If "RESET 1 - RESET 8" appears on the display, something is wrong with the connection between this unit and the CD changer. If this happens, check the connection, connect the connecting cord(s) firmly if necessary, then press the reset button of the CD changer.

Playing CDs



Number buttons CD-CH



Select the CD automatic changer.

Play back starts from the first track of the first disc. All tracks of all discs are played back.

- Each time you press the button, you can select the CD automatic changer and the external component alternately.



Disc number Track number

Elapsed playing time Track number

(The clock time is shown if you have pressed DISP to see the clock time. See page 20.)

Note on One-Touch Operation:

When you press CD-CH, the power automatically comes on. You do not have to press ϕ /I/ATT to turn on the power.



To fast forward or reverse the track

ENGLISH



Press and hold **▶▶**, while playing a CD, to fast forward the track.

Press and hold **◀◀**, while playing a CD, to reverse the track.

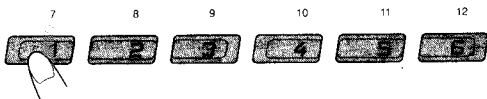
To go to the next track or the previous track



Press **▶** briefly, while playing a CD, to go ahead to the beginning of the next track. Each time you press the button consecutively, the beginning of the next tracks is located and played back.

Press **◀** briefly, while playing a CD, to go back to the beginning of the current track. Each time you press the button consecutively, the beginning of the previous tracks is located and played back.

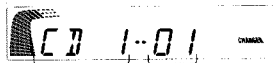
To go to a particular disc directly



Press the number button corresponding to the disc number to start its playback (while the CD changer is playing).

- To select a disc number from 1 – 6:
Press 1 (7) – 6 (12) briefly.
- To select a disc number from 7 – 12:
Press and hold 1 (7) – 6 (12) for more than 1 second.

Ex. When disc number 1 is selected

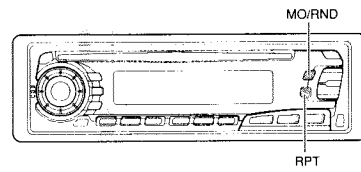


Disc number Track number



Selecting CD playback modes

ENGLISH



To play back tracks at random (Random Play)

Each time you press MO/RND (Mono/Random) while playing a CD, CD random play mode changes as follows:



Mode	RND Indicator	Plays at random
RND1	Lights	All tracks of the current disc, then the tracks of the next disc, and so on.
RND2	Flashes	All tracks of all discs inserted in the magazine.

To play back tracks repeatedly (Repeat Play)

Each time you press RPT (Repeat) while playing a CD, CD repeat play mode changes as follows:



Mode	RPT Indicator	Plays repeatedly
RPT1	Lights	The current track (or specified track).
RPT2	Flashes	All tracks of the current disc (or specified disc).

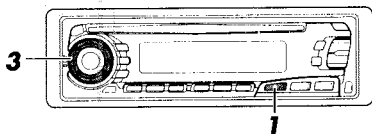
EXTERNAL COMPONENT OPERATIONS

External component operations

ENGLISH

This section is **ONLY FOR KD-SX750**.

You can connect the external component to the CD changer jack on the rear using the Line Input Adaptor KS-U57 (not supplied).



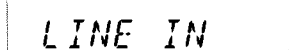
Preparations:

- For connecting the Line Input Adaptor KS-U57 and the external component, refer to the Installation/Connection Manual (separate volume).
- Before operating the external component using the following procedure, select the external input correctly. (See "Selecting the external component to use" on page 31.)

1



Select the external component.



• If "LINE IN" does not appear on the display, see page 31 and select the external input ("LINE IN").

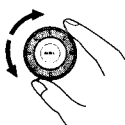
Note on One-Touch Operation:

When you press CD-CH, the power automatically comes on. You do not have to press **⏻** to turn on the power.

2

Turn on the connected device and start playing the source.

3



Adjust the volume.



Selecting the external component to use

You can connect the external component to the CD changer jack on the rear using the Line Input Adaptor KS-U57 (not supplied).

To use the external component as the playback source through this receiver, you need to select which device — CD changer or external component — to use. When shipped from the factory, CD changer is selected as the external component.

- LINE IN: To use the external component other than CD changer
- CHANGER: To use the CD changer

ENGLISH



1



Change the source to FM, AM or CD.

2



Press and hold SEL for more than 2 seconds. "CLOCK H," "CLOCK M," "SCM LINK," "LEVEL," "AREA" or "LINE IN" appears on the display.

3



Select "LINE IN" if not shown on the display.



4



Select the desired mode — "LINE IN" or "CHANGER".

5



Finish the setting.

Note:

- For connecting the Line Input Adaptor KS-U57 and the external component, refer to the Installation/Connection Manual (separate volume).

MAINTENANCE ?!

ENGLISH

Playing VCRs

This section is **ONLY FOR KD-SX850**.

After connecting a VCR (KZ-V10) to the LINE IN plugs, you can perform the following operations. You can also connect the TV to this unit.



1



Select the external component.

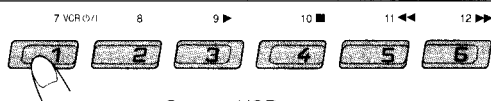
LINE IN

- Each time you press the button, you can select the CD automatic changer and the external component alternately.

Note on One-Touch Operation:

When you press CD-CH/EXT, the power automatically comes on. You do not have to press **⏻/I/ATT** to turn on the power.

2



Operate VCRs.

- VCR **⏻/I** : Turns on and off.
- ▶** : Starts playing.
- : Stops operations.
- ◀◀** : Rewinds a tape.
- ▶▶** : Fast winds a tape.

Note:

When selecting an external component as the source, the display always shows "V..." by pressing these buttons regardless of whether you connect VCR or not.

32

! TROUBLESHOOTING

What appears to be trouble is not always serious. Check the following points before calling a service center.

Symptoms	Causes	Remedies
• CD cannot be played back.	CD is inserted upside down.	Insert the CD correctly.
• CD sound is sometimes interrupted.	You are driving on rough roads.	Stop CD play while driving rough roads.
	CD is scratched.	Change the CD.
	Connections are incorrect.	Check the cords and connections.
• Sound cannot be heard from the speakers.	The volume is turned to the minimum level.	Adjust it to the optimum level.
	Connections are incorrect.	Check the cords and connections.
• SSM (Strong-station Sequential Memory) automatic preset does not work.	Signals are too weak.	Store stations manually.
• Static noise while listening to the radio.	The antenna is not connected firmly.	Connect the antenna firmly.
• "NO CD" or "NO DISC" appears on the display.	No CD is in the loading slot (or in the magazine).	Insert CD.
	CD is inserted incorrectly.	Insert it correctly.
• "RESET 8" appears on the display.	This unit is not connected to a CD changer correctly.	Connect this unit and the CD changer correctly and press the reset button of the CD changer.
• "RESET 1-RESET 7" appears on the display.		Press the reset button of the CD changer.
• CD can be neither played back nor ejected.	The CD player may function incorrectly.	Press ⏻/I/ATT and ▲ at the same time for more than 2 seconds. Be careful not to drop CD when it is ejected.
• The unit does not work at all.	The built-in microcomputer may function incorrectly due to noise, etc.	Press ⏻/I/ATT and SEL at the same time for more than 2 seconds to reset the unit. (The clock setting and preset stations stored in memory are erased.) (See page 2.)

34

ENGLISH

Handling CDs

This unit has been designed only to reproduce the CDs bearing the mark. Other discs cannot be played back.

How to handle CDs

When removing a CD from its case, press down the center holder of the case and lift the CD out, holding it by the edges.

- Always hold the CD by the edges. Do not touch its recording surface.

When storing a CD into its case, gently insert the CD around the center holder (with the printed surface facing up).

- Make sure to store CDs into the cases after use.

To keep CDs clean

A dirty CD may not play correctly. If a CD does become dirty, wipe it with a soft cloth in a straight line from center to edge.

To play new CDs

New CDs may have some rough spots around the inner and outer edges. If such a CD is used, this unit may reject the CD. To remove these rough spots, rub the edges with a pencil or ball-point pen, etc.

Moisture condensation

Moisture may condense on the lens inside the CD player in the following cases:

- After starting the heater in the car.
 - If it becomes very humid inside the car.
- Should this occur, the CD player may malfunction. In this case, eject the CD and leave the unit turned on for a few hours until the moisture evaporates.

CAUTIONS:

- Do not insert 8cm (3 1/16") CDs (single CDs) into the loading slot. (Such CDs cannot be ejected.)
- Do not insert any CD of unusual shape - like a heart or flower, otherwise, it will cause a malfunction.
- Do not expose CDs to direct sunlight or any heat source or place them in a place subject to high temperature and humidity. Do not leave them in a car.
- Do not use any solvent (for example, conventional record cleaner, spray, thinner, benzine, etc.) to clean CDs.

When playing a CD-R (Recordable)

You can play back your original CD-Rs on this receiver.

- Before playing back CD-Rs, read their instructions or cautions carefully.
- Some CD-Rs recorded on CD recorders may not be played back on this receiver because of their disc characteristics, and of the following reasons:
 - Discs are dirty or scratched.
 - Moisture condensation occurs on the lens inside the unit.
 - The pickup lens inside the CD player is dirty.
- Use only "finalized" CD-Rs.
- CD-RWs (Rewritable) cannot be played back on this receiver.

About mistracking:

Mistracking may result from driving on extremely rough roads. This does not damage the unit and the CD, but will be annoying. We recommend that you stop CD play while driving on such rough roads.

33

ENGLISH

SPECIFICATIONS

AUDIO AMPLIFIER SECTION

Maximum Power Output:

Front: 45 W per channel

Rear: 45 W per channel

Continuous Power Output (RMS):

Front: 17 W per channel into 4 Ω , 40 Hz to 20,000 Hz at no more than 0.8% total harmonic distortion.

Rear: 17 W per channel into 4 Ω , 40 Hz to 20,000 Hz at no more than 0.8% total harmonic distortion.

Load Impedance: 4 (4 to 8 Ω all Ω wance)

Tone Control Range

Bass: ± 10 dB at 100 Hz

Treble: ± 10 dB at 10 kHz

Frequency Response: 40 Hz to 20,000 Hz

Signal-to-Noise Ratio: 70 dB

Line-In Level/Impedance: 1.5 V/20 Ω

(For KD-SX850)

Line-Out Level/Impedance: 2.0 V/20 Ω load (full scale)

Output Impedance: 1 k

TUNER SECTION

Frequency Range

FM: 87.5 MHz to 107.9 MHz

(with channel interval set to 200 kHz)

87.5 MHz to 108.0 MHz

(with channel interval set to 50 kHz)

AM: 530 kHz to 1,710 kHz

(with channel interval set to 10 kHz)

531 kHz to 1,602 kHz

(with channel interval set to 9 kHz)

[FM Tuner]

Usable Sensitivity: 11.3 dBf (1.0 μ V/75 Ω)

50 dB Quieting Sensitivity:

16.3 dBf (1.8 μ V/75 Ω)

Alternate Channel Selectivity (400 kHz):

65 dB

Frequency Response: 40 to 15,000 Hz

Stereo Separation: 35 dB

Capture Ratio: 1.5 dB

[AM Tuner]

Sensitivity: 20 μ V

Selectivity: 35 dB

CD PLAYER SECTION

Type: Compact disc player

Signal Detection System: Non-contact optical

pickup (semiconductor laser)

Number of channels: 2 channels (stereo)

Frequency Response: 5 Hz to 20,000 Hz

Dynamic Range: 96 dB

Signal-to-Noise Ratio: 98 dB

Wow and Flutter: Less than measurable limit

GENERAL

Power Requirement

Operating Voltage: DC 14.4 V (11 V to 16 V allowance)

Allowable Working Temperature:

0°C to +40°C (32°F to 104°F)

Grounding System: Negative ground

Dimensions (W x H x D)

Installation Size:

182 mm x 52 mm x 150 mm

(7-3/16" x 2-1/16" x 5-15/16")

Panel Size: 188 mm x 58 mm x 14 mm

(7-7/16" x 2-5/16" x 5/8")

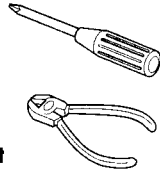
Mass: 1.4 kg (3.1 lbs) (excluding accessories)

Design and specifications subject to change without notice.

If a kit is necessary for your car, consult your telephone directory for the nearest car audio speciality shop.

ENGLISH

35



ENGLISH

• This unit is designed to operate on 12 volts DC, NEGATIVE ground electrical systems.

INSTALLATION (IN-DASH MOUNTING)

• The following illustration shows a typical installation. However, you should make adjustments corresponding to your specific car. If you have any questions or require information regarding installation kits, consult your JVC car audio dealer or a company supplying kits.

ESPAÑOL

• Esta unidad está diseñada para funcionar con 12 voltios de CC, con sistemas eléctricos de masa NEGATIVA.

INSTALACION (MONTAJE EN EL TABLERO DE INSTRUMENTOS)

• La siguiente ilustración muestra una instalación típica. Sin embargo usted deberá efectuar los ajustes correspondientes a su automóvil. Si tiene alguna pregunta o necesita información acerca de las herramientas para instalación, consulte con su concesionario de JVC de equipos de audio para automóviles o a una compañía que suministra tales herramientas.

FRANÇAIS

• Cet appareil est conçu pour fonctionner sur des sources de courant continu de 12 volts à masse NEGATIVE.

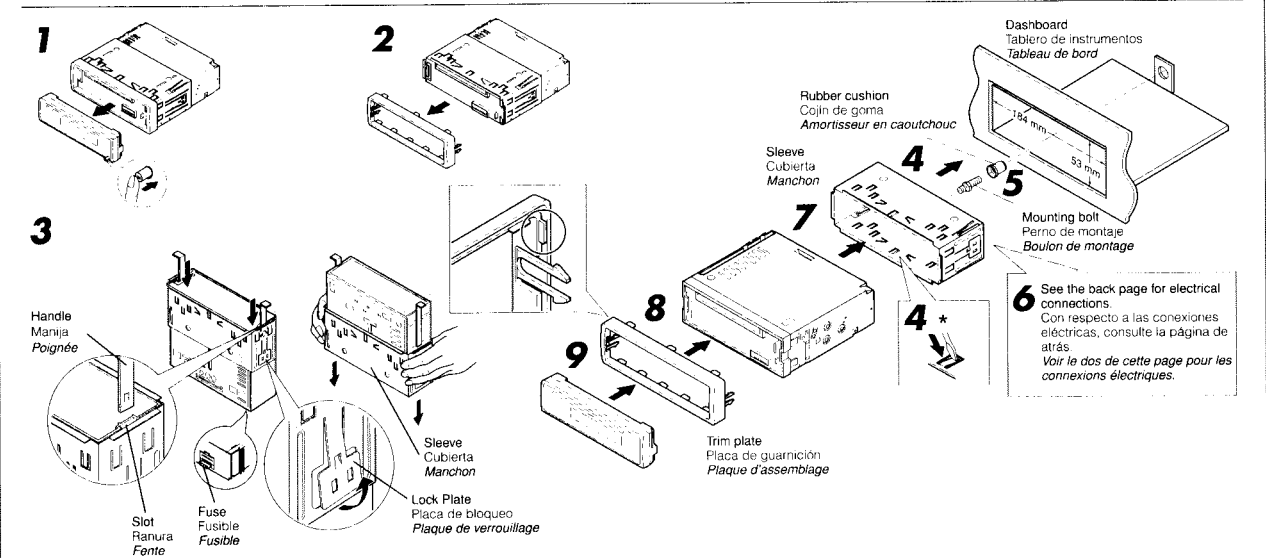
INSTALLATION (MONTAGE DANS LE TABLEAU DE BORD)

• L'illustration suivante est un exemple d'installation typique. Cependant, vous devez faire les ajustements correspondant à votre voiture particulière. Si vous avez des questions ou avez besoin d'information sur des kits d'installation, consultez votre revendeur d'autoradios JVC ou une compagnie d'approvisionnement.

- 1 **Before mounting:** Press **▲** (Control Panel Release button) to detach the control panel.
- 2 Remove the trim plate.
- 3 Remove the sleeve after disengaging the sleeve locks.
 - ① Stand the unit.
 - Note:** When you stand the unit, be careful not to damage the fuse on the rear.
 - ② Insert the 2 handles between the unit and the sleeve, as illustrated, to disengage the sleeve locks.
 - ③ Remove the sleeve.
 - Note:** Be sure to keep the handles for future use after installing the unit.
- 4 Install the sleeve into the dashboard.
 - * After the sleeve is correctly installed in the dashboard, bend the appropriate tabs to hold the sleeve firmly in place, as illustrated.
- 5 Fix the mounting bolt to the rear of the unit's body and place the rubber cushion over the end of the bolt.
- 6 Do the required electrical connections explained on the back of this instructions.
- 7 Slide the unit into the sleeve until it is locked.
- 8 Attach the trim plate so that the projection on the trim plate is fixed to the left side of the unit.
- 9 Attach the control panel.

- 1 **Antes de instalar:** Presione **▲** (botón de liberación del panel de control) para desmontar el panel de control.
- 2 Retire la placa de guarnición.
- 3 Retire la cubierta después de desenganchar los retenes de la cubierta.
 - ① Ponga la unidad vertical.
 - Nota:** Al poner la unidad vertical, tenga cuidado de no dañar el fusible provisto en la parte posterior.
 - ② Inserte las dos asas entre la unidad y la cubierta tal como en la ilustración y desenganche los retenes de la cubierta.
 - ③ Retire la cubierta.
 - Nota:** Después de instalar la unidad, asegúrese de guardar las asas para uso futuro.
- 4 Instale la cubierta en el tablero de instrumentos.
 - * Después de que la cubierta esté correctamente instalada en el tablero de instrumentos, doble las lengüetas correspondientes para sostener la cubierta firmemente en su lugar, tal como se muestra.
- 5 Fije el perno de montaje en la parte trasera del cuerpo de la unidad y colóque el cojín de goma sobre el extremo del perno.
- 6 Realice las conexiones eléctricas requeridas en base a las explicaciones que figuran en la parte de atrás de estas instrucciones.
- 7 Deslice la unidad dentro de la cubierta hasta que quede trabada.
- 8 Coloque la placa de guarnición de manera que el saliente de la misma quede colocado en el lateral izquierdo de la unidad.
- 9 Coloque el panel de control.

- 1 **Avant le montage:** Appuyer sur **▲** (touche de libération du panneau de commande) pour détacher le panneau de commande.
- 2 Retirer la plaque d'assemblage.
- 3 Libérer les verrous du manchon et retirer le manchon.
 - ① Poser l'appareil à la verticale.
 - Remarque:** Lorsque vous mettez l'appareil à la verticale, faire attention de ne pas endommager le fusible situé sur le fond.
 - ② Insérer les 2 poignées entre l'appareil et le manchon comme indiqué pour désengager les verrous de manchon.
 - ③ Retirer le manchon.
 - Remarque:** S'assurer de garder les poignées pour une utilisation ultérieure, après l'installation de l'appareil.
- 4 Installer le manchon dans le tableau de bord.
 - * Après installation correcte du manchon dans le tableau de bord, plier les bonnes pattes pour maintenir fermement le manchon en place, comme montré.
- 5 Monter le boulon de montage sur l'arrière du corps de l'appareil puis passer l'amortisseur en caoutchouc sur l'extrémité du boulon.
- 6 Réalisez les connexions électriques expliquées au dos de cette page.
- 7 Faire glisser l'appareil dans le manchon jusqu'à ce qu'il soit verrouillé.
- 8 Attachez la plaque d'ajustage de façon que la projection de la plaque soit fixée sur le côté gauche de l'appareil.
- 9 Remonter le panneau de commande.



TROUBLESHOOTING

- **The fuse blows.**
 - Are the red and black leads connected correctly?
- **Power cannot be turned on.**
 - Is the yellow lead connected?
- **No sound from the speakers.**
 - Is the speaker output lead short-circuited?
- **Sound is distorted.**
 - Is the speaker output lead grounded?
 - Are the "-" terminals of L and R speakers grounded in common?
- **Unit becomes hot.**
 - Is the speaker output lead grounded?
 - Are the "-" terminals of L and R speakers grounded in common?

LOCALIZACION DE AVERIAS

- **El fusible se quema.**
 - ¿Están los conductores rojo y negro correctamente conectados?
- **No es posible conectar la alimentación.**
 - ¿Está el cable amarillo conectado?
- **No sale sonido de los altavoces.**
 - ¿Está el cable de salida del altavoz cortocircuitado?
- **El sonido presenta distorsión.**
 - ¿Está el cable de salida del altavoz conectado a masa?
 - ¿Están los terminales "-" de los altavoces L y R conectados a una masa común?
- **La unidad se calienta.**
 - ¿Está el cable de salida del altavoz conectado a masa?
 - ¿Están los terminales "-" de los altavoces L y R conectados a una masa común?

EN CAS DE DIFFICULTÉS

- **Le fusible saute.**
 - Les fils rouge et noir sont-ils raccordés correctement?
- **L'appareil ne peut pas être mise sous tension.**
 - Le fil jaune est-elle raccordée?
- **Pas de son des haut-parleurs.**
 - Le fil de sortie de haut-parleur est-il court-circuité?
- **Le son est déformé.**
 - Le fil de sortie de haut-parleur est-il à la masse?
 - Les bornes "-" des haut-parleurs gauche et droit sont-elles mises ensemble à la masse?
- **L'appareil devient chaud.**
 - Le fil de sortie de haut-parleur est-il à la masse?
 - Les bornes "-" des haut-parleurs gauche et droit sont-elles mises ensemble à la masse?

• **When using the optional stay**
• **Cuando emplea un soporte opcional**
• **Lors de l'utilisation du hauban en option**

Fire wall
labriquo a prueba de incendios
Cloison

Dashboard
Tablero de instrumentos
Tableau de bord

Washer
Arandola
Rondelle

Stay (option)
Soporte (opción)
Hauban (en option)

Lock nut
Tuerca de seguridad
Ecrout d'arrêt

Screw (option)
Tornillo (opción)
Vis (en option)

Mounting bolt
Perno de montaje
Boulon de montage

Sleeve
Cubierta
Manchon

• **When installing the unit without using the sleeve**
• **Instalación de la unidad sin utilizar la cubierta**
• **Lors de l'installation de l'appareil sans utiliser de manchon**

In a Toyota for example, first remove the car radio and install the unit in its place.
En un Toyota por ejemplo, primero extraiga la radio del automóvil y luego instale la unidad en su lugar.
Par exemple dans une Toyota, retirez d'abord l'autoradio et installez l'appareil à la place.

Flat type screws (M5 x 6 mm)*
Tornillos tipo plano (M5 x 6 mm)*
Vis à tête plate (M5 x 6 mm)*

Bracket*
Ménsula*
Support*

Pocket
Compartimiento
Poché

Bracket*
Ménsula*
Support*

Flat type screws (M5 x 6 mm)*
Tornillos tipo plano (M5 x 6 mm)*
Vis à tête plate (M5 x 6 mm)*

* Not included with this unit.
* No suministrado con esta unidad.
* Non fourni avec cet appareil.

Note: When installing the unit on the mounting bracket, make sure to use the 6 mm-long screws. If longer screws are used, they could damage the unit.
Nota: Cuando instala la unidad en la ménsula de montaje, asegúrese de utilizar los tornillos de 6 mm de longitud. Si se utilizan tornillos más largos, estos pueden dañar la unidad.
Remarque: Lors de l'installation de l'appareil sur le support de montage, s'assurer d'utiliser des vis d'une longueur de 6 mm. Si des vis plus longues sont utilisées, elles peuvent endommager l'appareil.

Removing the unit

- Before removing the unit, release the rear section.

- 1 Remove the control panel.
- 2 Remove the trim plate.
- 3 Insert the 2 handles into the slots, as shown. Then, while gently pulling the handles away from each other, slide out the unit. (Be sure to keep the handles after installing it.)

Extracción de la unidad

- Antes de extraer la unidad, libere la sección trasera.

- 1 Extraiga el panel de control.
- 2 Retire la placa de guarnición.
- 3 Inserte las 2 manijas entre las ranuras, como se muestra. Luego, separe gentilmente las manijas y extraiga la unidad. (Asegúrese de conservar las manijas después de instalarlo.)

Retrait de l'appareil

- Avant de retirer l'appareil, libérer la section arrière.

- 1 Retirer le panneau de commande.
- 2 Retirer la plaque d'assemblage.
- 3 Introduire les deux poignées dans les fentes, comme montré. Puis, tout en tirant doucement les poignées écartées, faire glisser l'appareil pour le sortir. (S'assurer de conserver les poignées après l'installation de l'appareil.)

Parts list for installation and connection

The following parts are provided with this unit. After checking them, please set them correctly.

- Hard case
Estuche duro
Etui de transport
- Sleeve
Cubierta
Manchon
- Trim plate
Placa de guarnición
Plaque d'assemblage
- Handles
Manijas
Poignées
- Power cord
Cordón de alimentación
Cordon d'alimentation

Lista de piezas para instalación y conexión

Con esta unidad se suministran las siguientes piezas. Después de inspeccionarlas, colóquelas correctamente.

- Washer (ø5)
Arandola (ø5)
Rondelle (ø5)
- Lock nut (M5)
Tuerca de seguridad (M5)
Ecrout d'arrêt (M5)
- Mounting bolt (M5 x 20 mm)
Perno de montaje (M5 x 20 mm)
Boulon de montage (M5 x 20 mm)
- Rubber cushion
Cojin de goma
Amortisseur en caoutchouc

Liste des pièces pour l'installation et raccordement

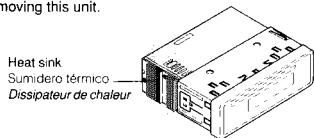
Les pièces suivantes sont fournies avec cet appareil. Après vérification, veuillez les placer correctement.

FOR KD-SX850 PARA KD-SX850 POUR LES KD-SX850	FOR KD-SX750 PARA KD-SX750 POUR LES KD-SX750
Remote controller Fernbedienung Télécommande	Remote controller Fernbedienung Télécommande
Battery Batterie Pile	Battery Batterie Pile
CR2025	CR2025

ENGLISH
ELECTRICAL CONNECTIONS

To prevent short circuits, we recommend that you disconnect the battery's negative terminal and make all electrical connections before installing the unit. If you are not sure how to install this unit correctly, have it installed by a qualified technician.

- Note:**
This unit is designed to operate only on 12 volts DC, **NEGATIVE ground electrical systems**. If your vehicle does not have this system, a voltage inverter is required, which can be purchased at JVC car audio dealers.
- Replace the fuse with one of the specified rating. If the fuse blows frequently, consult your JVC car audio dealer.
 - If noise is a problem...
This unit incorporates a noise filter in the power circuit. However, with some vehicles, clicking or other unwanted noise may occur. If this happens, connect the unit's **rear ground terminal** (see connection diagram) to the car's chassis using shorter and thicker cords, such as copper braiding or gauge wire. If noise still persists, consult your JVC car audio dealer.
 - Maximum input of the speakers should be more than 45 watts at the rear and 45 watts at the front, with an impedance of 4 to 8 ohms.
 - **Be sure to ground this unit to the car's chassis.**
 - The heat sink becomes very hot after use. Be careful not to touch it when removing this unit.



ESPAÑOL
CONEXIONES ELECTRICAS

Para evitar cortocircuitos, recomendamos que desconecte el terminal negativo de la batería y que efectúe todas las conexiones eléctricas antes de instalar la unidad. Si usted no está seguro de cómo instalar correctamente la unidad, hágala instalar por un técnico cualificado.

- Nota:**
Esta unidad está diseñada para funcionar con 12 voltios de CC, con **sistemas eléctricos de masa NEGATIVA** solamente. Si su vehículo no posee este sistema, será necesario un inversor de tensión, que puede ser adquirido en los concesionarios de JVC de equipos de audio para automóviles.
- Reemplace el fusible por uno con la corriente especificada. Si el fusible se quemase frecuentemente consulte con su concesionario de JVC de equipos de audio para automóviles.
 - Si el ruido fuese un problema...
Esta unidad tiene un filtro de ruido en el circuito de alimentación. Sin embargo, en algunos vehículos, pueden producirse chasquidos u otros ruidos indeseados. En tal caso conecte el **terminal de tierra posterior** (siehe Schaltplan) del receptor al chasis del automóvil, utilizando cordones más gruesos y cortos tales como alambre de cobre trenzado o de grueso calibre. Si el ruido persiste, consulte a su concesionario de JVC de equipos de audio para automóvil.
 - La entrada máxima de los altavoces traseros debe ser mayor de 45 vatios y la de los delanteros de 45 vatios, con una impedancia de 4 a 8 ohmios.
 - **Asegúrese de conectar esta unidad a tierra en el chasis del automóvil.**
 - El sumidero térmico estará muy caliente después del uso. Asegúrese de no tocarlo al desmontar esta unidad.

FRANÇAIS
RACCORDEMENTS ELECTRIQUES

Pour éviter tout court-circuit, nous vous recommandons de débrancher la borne négative de la batterie et d'effectuer tous les raccordements électriques avant d'installer l'appareil. Si l'on n'est pas sûr de pouvoir installer correctement cet appareil, le faire installer par un technicien qualifié.

- Remarque:**
Cet appareil est conçu pour fonctionner sur des sources de courant continu de 12 volts à masse **NEGATIVE** seulement. Si votre véhicule n'offre pas ce type d'alimentation, il vous faut un convertisseur de tension, que vous pouvez acheter chez un revendeur d'autoradios JVC.
- Remplacer le fusible par un de la valeur précisée. Si le fusible saute souvent, consulter votre revendeur d'autoradios JVC.
 - Si le bruit est un problème...
Cet appareil incorpore un filtre de bruit dans le circuit d'alimentation. Cependant, avec certains véhicules, quelques claquements ou autres bruits non désirés risquent de se produire. Si cela arrive, raccorder la borne de masse arrière de l'appareil au châssis de la voiture (voir le schéma de raccordement) en utilisant des cordons les plus gros et les plus courts possibles telle qu'une barre de cuivre ou une tresse. Si le bruit persiste, consulter votre revendeur d'autoradios JVC.
 - La puissance admissible des haut-parleurs doit être supérieure à 45 watts à l'arrière et à 45 watts à l'avant, avec une impédance de 4 à 8 ohms.
 - **S'assurer de raccorder la mise à la masse de cet appareil au châssis de la voiture.**
 - Le radiateur devient très chaud après usage. Faire attention de ne pas le toucher en retirant cet appareil.

A Typical Connections / Conexiones típicas / Raccordements typiques

Before connecting: Check the wiring in the vehicle carefully not to fail in connecting this unit. Incorrect connection may cause a serious damage to this unit.

- 1 Connect the colored leads of the power cord to the car battery, speakers and automatic antenna (if any) in the following sequence.
 - (1) Black: ground
 - (2) Yellow: to car battery (constant 12V)
 - (3) Red: to an accessory terminal
 - (4) Blue with white stripe: to automatic antenna (200mA max.)
 - (5) Others: to speakers
- 2 Connect the antenna cord.
- 3 Finally connect the wiring harness to the unit.

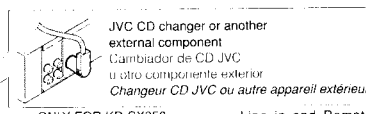
Antes de la conexión: Verifique atentamente el conexionado del vehículo para no cometer errores al conectar esta unidad. Una conexión incorrecta podría producir daños graves en la unidad.

- 1 Conecte los conductores de color del cable de alimentación a la batería del automóvil, altavoces y antena automática (si la hubiere) en la secuencia siguiente.
 - 1 Negro: a tierra.
 - 2 Amarillo: a la batería del automóvil (12V constantes)
 - 3 Rojo: a un terminal de accesorio
 - 4 Azul con rayas blancas: a la antena automática (200mA máx.)
 - 5 Otros: a los altavoces
- 2 Conecte el cable de antena.
- 3 Por último, conecte a la unidad el cableado preformado.

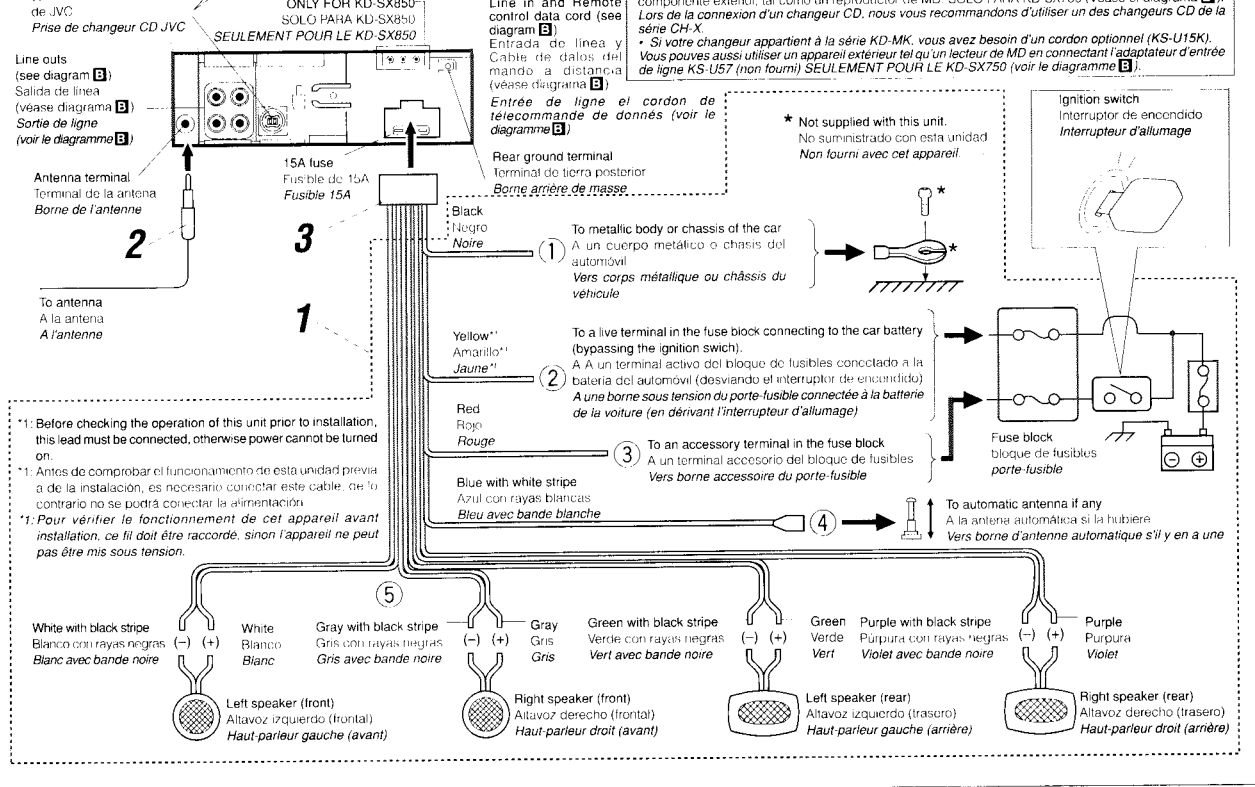
Avant de commencer la connexion: vérifiez attentivement le câblage du véhicule pour ne pas connecter incorrectement cet appareil. Une connexion incorrecte peut endommager sérieusement l'appareil.

- 1 Connectez les fils de couleur du cordon d'alimentation à la batterie de la voiture, aux enceintes et à l'antenne automatique (s'il y en a une) dans l'ordre suivant.
 - 1 Noir: à la masse
 - 2 Jaune: à la batterie de la voiture (12V constant)
 - 3 Rouge: à la prise accessoire
 - 4 Bleu à bandes blanches: à l'antenne automatique (200mA max.)
 - 5 Autres: aux enceintes
- 2 Connectez le cordon d'antenne.
- 3 Finalement, connectez le faisceau de fils à l'appareil.

Before connecting the CD changer, make sure that the unit is turned off.
Antes de conectar el cambiador de CD, asegúrese de que la unidad esté apagada.
Avant de connecter le changeur CD, s'assurer que l'unité est éteinte.

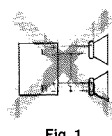


When connecting a CD changer, we recommend to use one of the CH-X series CD changers.
• If your CD changer is one of the KD-MK series, you need an optional cord (KS-U15K). You can also use an external component such as a portable MD player by connecting the Line Input Adaptor KS-U57 (not supplied). ONLY FOR KD-SX750 (see diagram B).
Cuando conecte un cambiador de CD, se recomienda utilizar uno de la serie CH-X.
• Si su cambiador de CD es de la serie KD-MK, necesitará un cable opcional (KS-U15K). Conectando el adaptador de entrada de línea KS-U57 (no suministrado), también podrá usar un componente exterior, tal como un reproductor de MD. SOLO PARA KD-SX750 (véase el diagrama B).
Lors de la connexion d'un changeur CD, nous vous recommandons d'utiliser un des changeurs CD de la série CH-X.
• Si votre changeur appartient à la série KD-MK, vous avez besoin d'un cordon optionnel (KS-U15K). Vous pouvez aussi utiliser un appareil extérieur tel qu'un lecteur de MD en connectant l'adaptateur d'entrée de ligne KS-U57 (non fourni) SEULEMENT POUR LE KD-SX750 (voir le diagramme B).



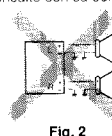
PRECAUTIONS on power supply and speaker connections:

- DO NOT connect the speaker leads of the power cord to the car battery; otherwise, the unit will be seriously damaged.
- Connect the black lead (ground), yellow lead (to car battery, constant 12V), and red lead (to an accessory terminal) correctly.
- BEFORE connecting the speaker leads of the power cord to the speakers, check the speaker wiring in your car.
 - If the speaker wiring in your car is as illustrated in Fig. 1 and Fig. 2 below, DO NOT connect the unit using that original speaker wiring. If you do, the unit will be seriously damaged. Redo the speaker wiring so that you can connect the unit to the speakers as illustrated in Fig. 3.
 - If the speaker wiring in your car is as illustrated in Fig. 3, you can connect the unit using the original speaker wiring in your car.
 - If you are not sure of the speaker wiring of your car, consult your car dealer.



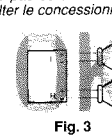
PRECAUCIONES sobre las conexiones de la fuente de alimentación y de los altavoces:

- NO conecte los conductores de altavoz del cable de alimentación a la batería de automóvil, pues podrían producirse daños graves en la unidad.
- Conecte correctamente el conductor negro (a tierra), el conductor amarillo (a la batería del automóvil, 12V constantes), y el conductor rojo (a un terminal de accesorio).
- ANTES de conectar a los altavoces los conductores de altavoz del cable de alimentación, verifique el conexionado de altavoz de su automóvil.
 - Si el conexionado de altavoz de su automóvil es como se indica en las Figs. 1 y 2 de abajo, NO conecte la unidad utilizando ese conexionado de altavoz original. Si lo hace, se producirán daños graves en la unidad. Vuélva a efectuar el conexionado de altavoz de manera que pueda conectar la unidad a los altavoces de la manera indicada en la Fig. 3.
 - Si el conexionado de altavoz de su automóvil es como se indica en la Fig. 3, podrá conectar la unidad utilizando el conexionado de altavoz original de su automóvil.
 - Si tiene dudas sobre el conexionado de altavoz de su automóvil, consulte con su concesionario.



PRECAUTIONS sur l'alimentation et la connexion des enceintes:

- NE CONNECTEZ PAS les fils d'enceintes du cordon d'alimentation à la batterie; sinon, l'appareil serait sérieusement endommagé.
- Connectez correctement le fil noir (à la masse), le fil jaune (à la batterie de la voiture, 12V constant) et le fil rouge (à la prise accessoire).
- AVANT de connecter les fils d'enceintes du cordon d'alimentation aux enceintes, vérifiez le câblage des enceintes de votre voiture.
 - Si le câblage des enceintes de votre voiture est réalisé comme montré sur la Fig. 1 ou Fig. 2 ci-dessous, NE CONNECTEZ PAS l'appareil en utilisant ce câblage original d'enceintes. Si vous le faites, l'appareil sera sérieusement endommagé. Recommencez le câblage des enceintes de façon que vous puissiez connecter l'appareil aux enceintes comme montré sur la Fig. 3.
 - Si le câblage des enceintes de votre voiture est comme montré sur la Fig. 3, vous pouvez connecter l'appareil en utilisant ce câblage original d'enceintes pour votre voiture.
 - Si vous n'êtes pas sûrs du câblage d'enceintes de votre voiture, consultez le concessionnaire de votre voiture.



Connecting the leads / Conexión de los conductores / Raccordement des fils

Twist the core wires when connecting. Retuerza los alambres de alma para conectarlos. Torsader les âmes des fils en les raccordant.

Solder the core wires to connect them securely. Suelde los alambres de alma para conectarlos con firmeza. Soudier les âmes des fils pour les raccorder entre eux de façon sûre.

CAUTION / PRECAUCION / PRECAUTION:

- To prevent short-circuit, cover the terminals of the UNUSED leads with insulating tape.
- Para evitar cortocircuitos, cubra los cables NO UTILIZADOS con cinta aislante.
- Pour éviter les court-circuits, couvrir les bornes des fils qui ne sont PAS utilisés avec de la bande isolante

Connections Adding Other Equipment / Conexiones para añadir otros equipos / Raccordement pour ajouter d'autres appareils

You can connect an amplifier and other equipment to upgrade your car stereo system.

- Connect the remote lead (blue with white stripe) to the remote lead of the other equipment so that it can be controlled through this unit.
- For amplifier only:
 - Connect this unit's line-out terminals to the amplifier's line-in terminals.
 - Disconnect the speakers from this unit, connect them to the amplifier. Leave the speaker leads of this unit unused. (Cover the terminals of the these unused leads with insulating tape, as illustrated above.)
- For VCR or TV only (ONLY FOR KD-SX850):
 - Connect this unit's line-in plugs to the VCR's or TV's line-out terminals.

Usted podrá conectar un amplificador y otros equipos para mejorar el sistema estéreo de su automóvil.

- Conecte el cable remoto (azul con rayas blancas) al cable remoto del otro equipo para que pueda ser controlado a través de esta unidad.
- Sólo para el amplificador:
 - Conecte los terminales de salida de línea de esta unidad con los terminales de entrada de línea del amplificador.
 - Desconecte los altavoces de esta unidad y conéctelos al amplificador. Los cables de los altavoces de esta unidad quedan sin usar. (Cubra los terminales de estos cables sin usar con cinta aislante, tal comose indica en la figura de arriba).
- Para VCR o TV solamente (SOLO PARA KD-SX850):
 - Conecte las clavijas de entrada de línea de la unidad a los terminales de salida de línea de la VCR o del TV.

Vous pouvez connecter un amplificateur ou autre appareil pour améliorer votre système autoradio.

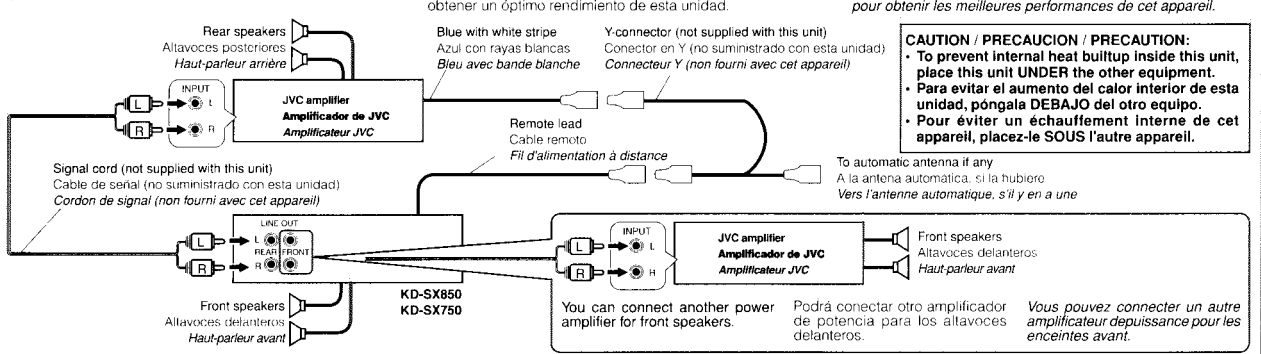
- Connecter le fil d'alimentation à distance (bleu avec des bandes blanches) au fil d'alimentation à distance de l'autre appareil de façon qu'il puisse être contrôlé par cet appareil.
- Pour l'amplificateur seulement:
 - Raccorder les bornes de sortie ligne de cet appareil aux bornes d'entrée ligne de l'amplificateur.
 - Déconnecter les enceintes de cet appareil et connectez-les à l'amplificateur. Laissez les fils d'enceintes de cet appareil inutilisés. (Recouvrir les extrémités de ces fils inutilisés avec de la bande isolante comme montré ci-dessus.)
- Pour le magnétoscope et le téléviseur seulement (SEULEMENT POUR LE KD-SX850):
 - Connecter les fiches d'entrée de ligne de cet appareil aux prises de sortie de ligne du magnétoscope ou du téléviseur.

Amplifier / Amplificador / Amplificateur

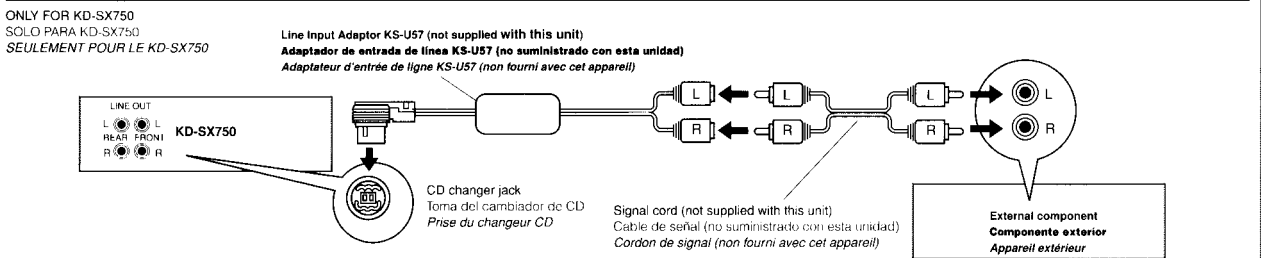
The line output level of this unit is kept high to maintain the hi-fi sounds reproduced from this unit. When connecting an external amplifier to this unit, turn down the gain control on the external amplifier to obtain the best performance from this unit.

El nivel de salida de línea de esta unidad permanece alto para que corresponda con los sonidos de alta fidelidad reproducidos por esta unidad. Cuando conecte un amplificador externo a esta unidad, disminuya el control de ganancia del amplificador externo para obtener un óptimo rendimiento de esta unidad.

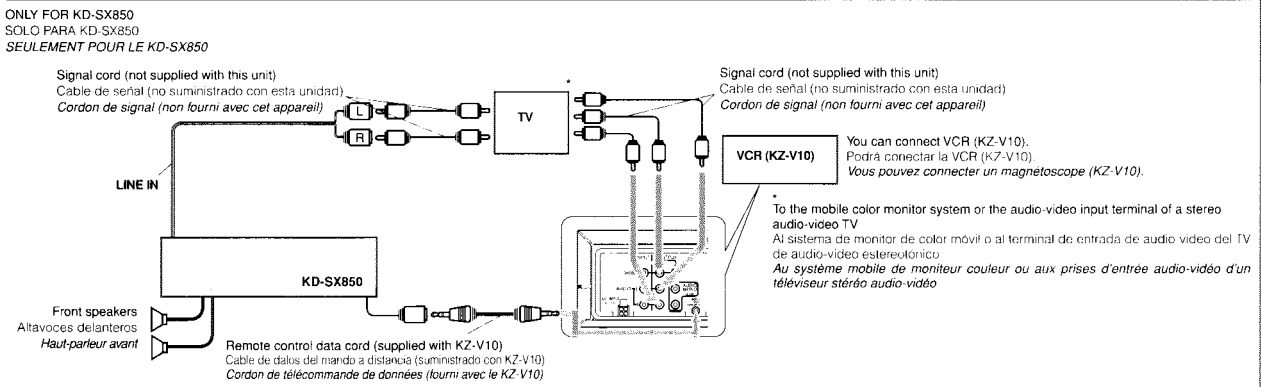
Le niveau de sortie de ligne de cet appareil est maintenu à un niveau élevé pour maintenir une qualité Hi-Fi pour les sons reproduits par cet appareil. Lors de la connexion d'un amplificateur extérieur à cet appareil, diminuez le réglage du gain sur l'amplificateur extérieur pour obtenir les meilleures performances de cet appareil.



External component / Componente exterior / Appareil extérieur



VCR or TV / VCR o TV / Magnétoscope ou Téléviseur

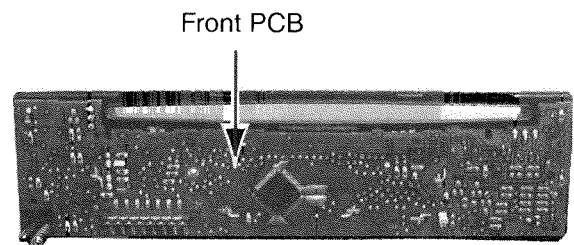
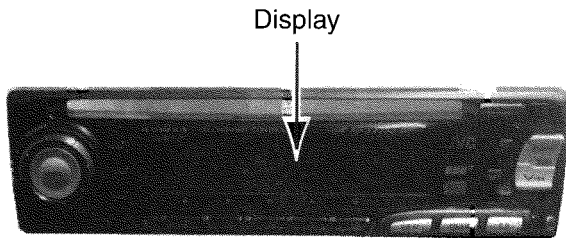


KD-SX850
KD-SX750

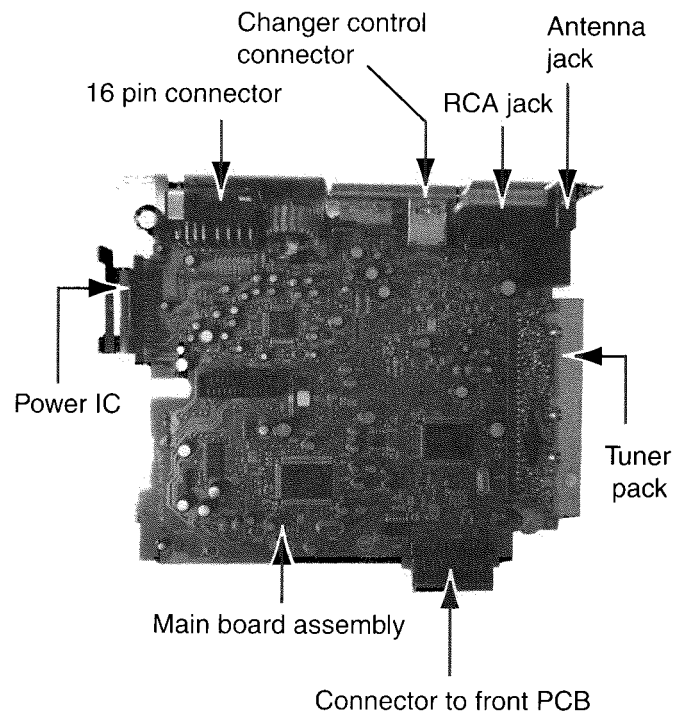
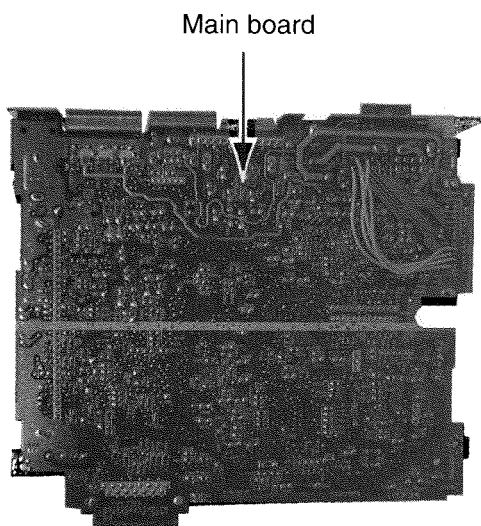
<< M E M O >>

Location of main parts

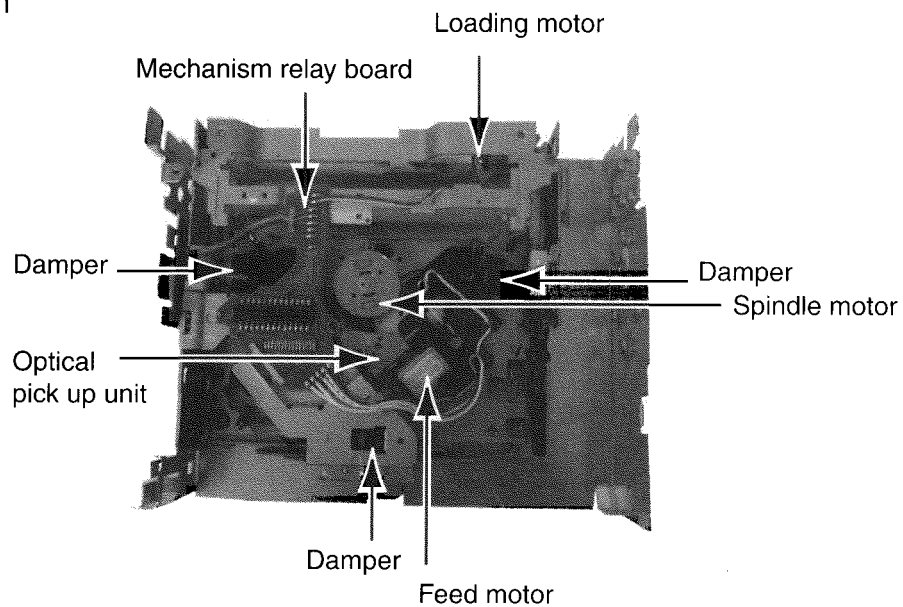
■ Control unit



■ Main unit



■ CD mechanism



Disassembly method

■ Removing the front chassis (See Fig.1)

1. Insert a screwdriver to the joints a on the side of the front chassis and two joints b on the right side, then detach the front chassis toward the front side.

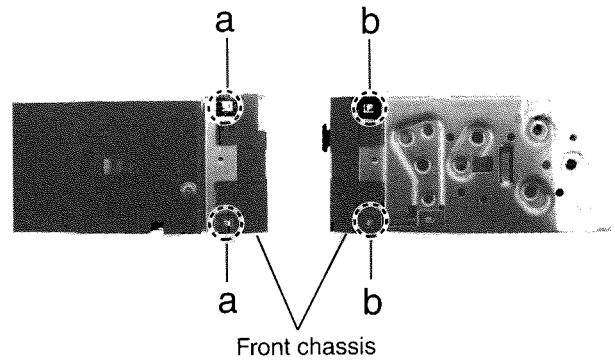


Fig.1

■ Removing the heat sink (See Fig.2)

1. Remove the three screws A attaching the heat sink on the left side of the body, and remove the heat sink.

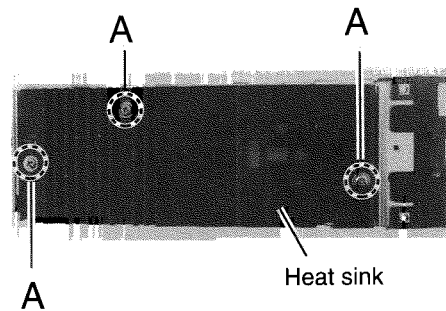


Fig.2

■ Removing the bottom cover (See Fig.3)

1. Turn the body upside down.
2. Insert a screwdriver to the two joints c and two joints d on both sides of the body and the joint e on the back of the body, then detach the bottom cover from the body.

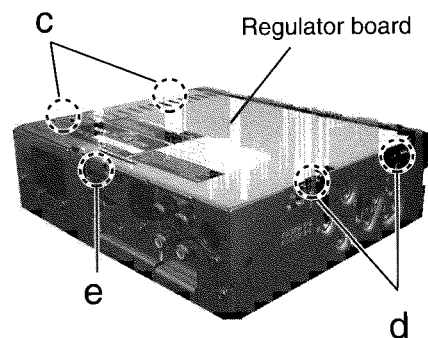


Fig. 3

■ **Removing the main amplifier board assembly**

(See Fig.4 and 5)

1. Remove the front chassis.
2. Remove the bottom cover.
3. Remove the two screws B attaching the main amplifier board assembly on the bottom of the body.
4. Remove the three screws C attaching the main amplifier board assembly on the back of the body.
5. Disconnect connector CN501 on the main amplifier board assembly from the CD mechanism assembly.

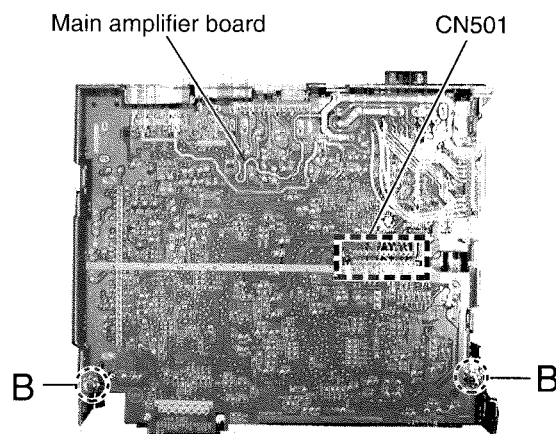


Fig. 4

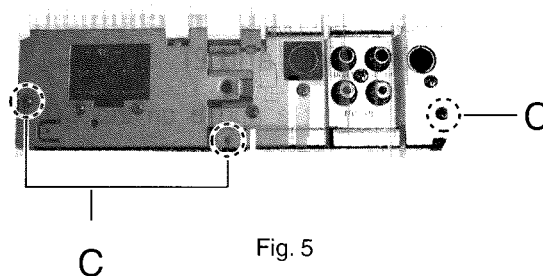


Fig. 5

■ **Removing the CD mechanism assembly**

(See Fig.6)

1. Remove the front chassis.
2. Remove the bottom cover.
3. Remove the main amplifier board assembly.
4. Remove the three screws D attaching the CD mechanism assembly from the top cover.

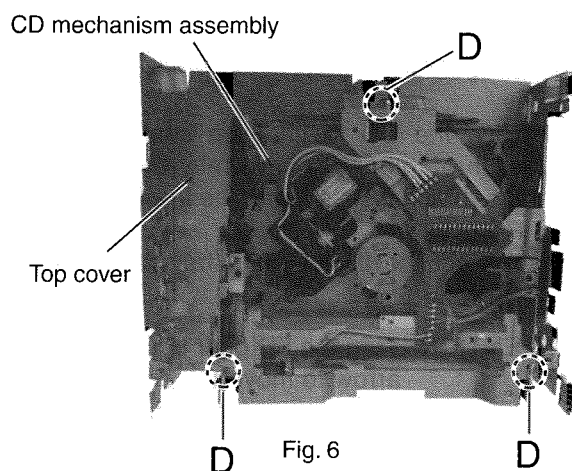


Fig. 6

■ **Removing the control switch board**

(See Fig.7 and 8)

1. Remove the front chassis.
2. Remove the five screws E attaching the rear cover on the back of the front panel unit.
3. Remove the control switch board from the front panel unit.

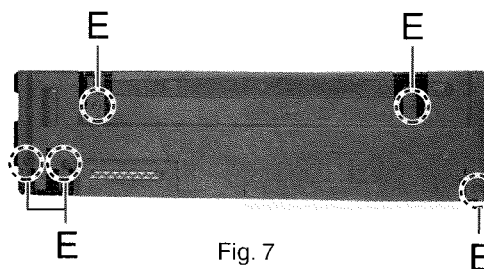


Fig. 7

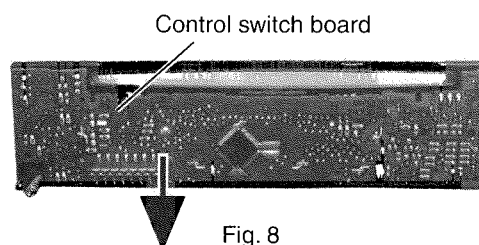


Fig. 8

<CD mechanism section>

- Prior to disassembling the CD mechanism, remove the following parts.
- The front panel unit and the front chassis
- The heat sink
- The bottom cover
- The main amplifier board
- The CD mechanism ass'y

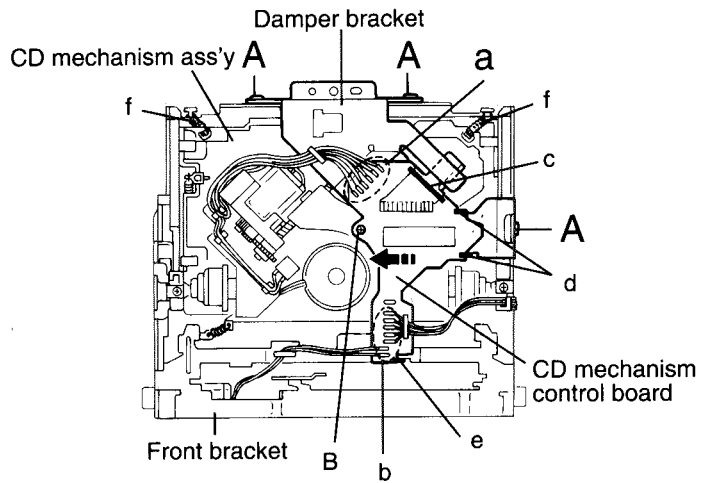


Fig.1

■ Removing the CD mechanism control board (See Fig.1 and 2)

1. Unsolder the part a and b on the CD mechanism control board.
2. Remove the stator fixing the CD mechanism control board and the damper bracket (To remove the stator smoothly, pick up the center part).

Remove the screw B attaching the CD mechanism control board.

Remove the CD mechanism control board in the direction of the arrow while releasing it from the two damper bracket slots d and the front bracket slot e.

Disconnect the flexible wire from connector on the pickup unit.

ATTENTION: Turn the FD gear in the direction of the arrow to move the entire pickup unit to the appropriate position where the flexible wire of the CD mechanism unit can be disconnected easily (Refer to Fig.2).

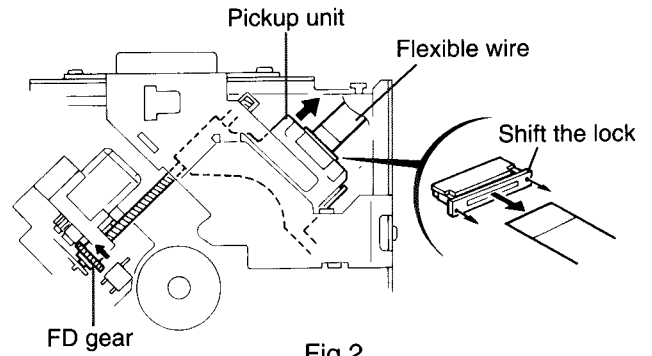


Fig.2

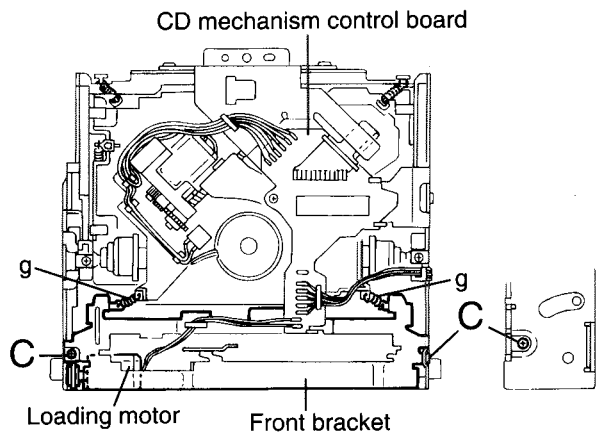


Fig.3

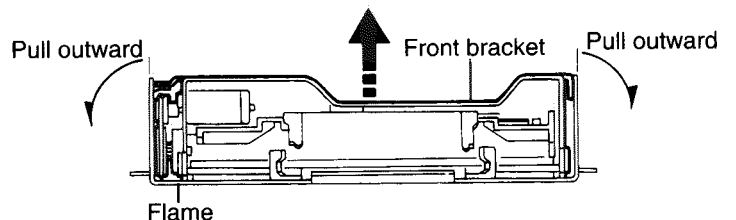


Fig.4

■ Removing the loading motor (See Fig.3 to 5)

- Prior to performing the following procedure, remove the CD mechanism control board.

1. Remove the two springs g attaching the CD mechanism ass'y and the front bracket.
2. Remove the two screws C and the front bracket while pulling the flame outward.
3. Remove the belt and the screw D from the loading motor.

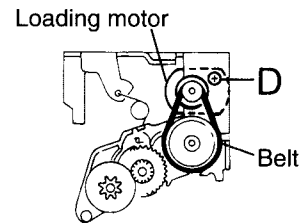


Fig.5

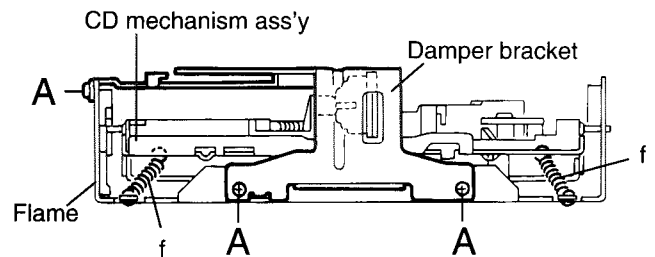


Fig.6

■ Removing the CD mechanism ass'y (See Fig.1, 6 to 9)

- Prior to performing the following procedure, remove the CD mechanism control PWB and the front bracket (loading motor).

1. Remove the three screws A and the damper bracket.
2. Raise the both sides fix arms and move the fix plates in the direction of the arrow to place the four shafts A as shown in Fig.8 and 9.
3. Remove the CD mechanism ass'y and the two springs f attaching the flame.
4. Remove the two screws E and both sides rear damper brackets from the dampers. Detach the CD

ATTENTION: The CD mechanism ass'y can be removed if only the rear damper bracket on the left side is removed.

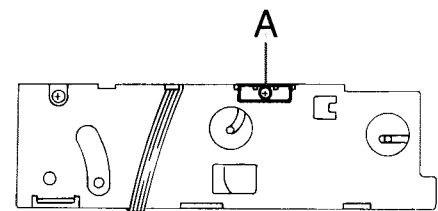


Fig.7

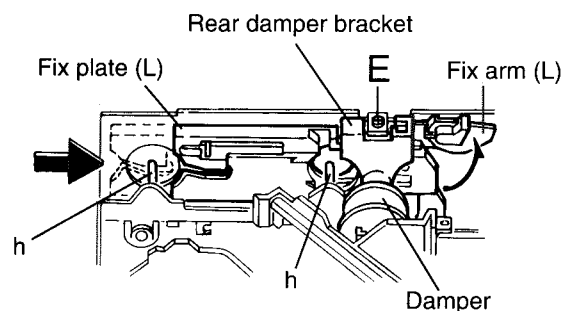


Fig.8

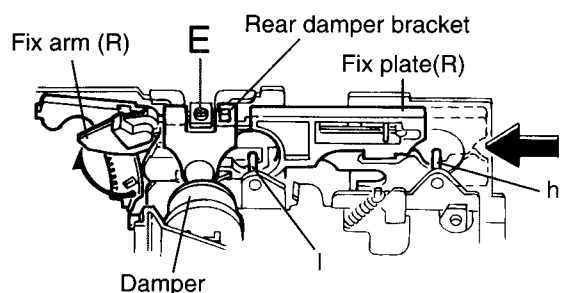


Fig.9

■ Removing the feed motor ass'y
 (See Fig.10)

- Prior to performing the following procedure, remove the CD mechanism control board, the front bracket (loading motor) and the CD mechanism ass'y.

1. Remove the two screws F and the feed motor ass'y.

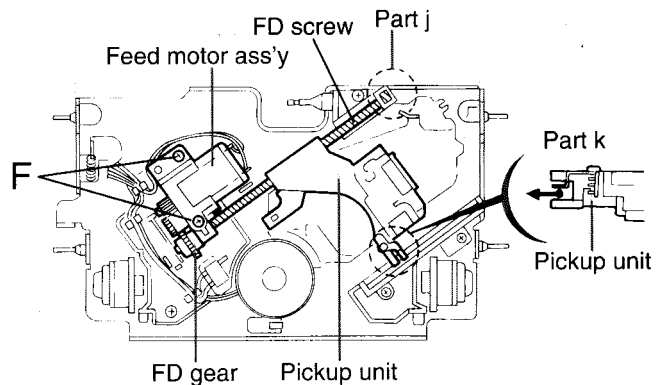


Fig.10

■ Removing the pickup unit
 (See Fig.10 and 11)

- *Prior to performing the following procedure, remove the CD mechanism control board, the front bracket (loading motor), the CD mechanism ass'y and the feed motor ass'y.

1. Detach the FD gear part of the pickup unit upward. Then remove the pickup unit while pulling out the part j of the FD screw.

ATTENTION: When reattaching the pickup unit, reattach the part k of the pickup unit, then the part j of the FD screw.

2. Remove the screw L attaching the nut push spring plate and the pickup mount nut from the pickup unit. Pull out the FD screw.

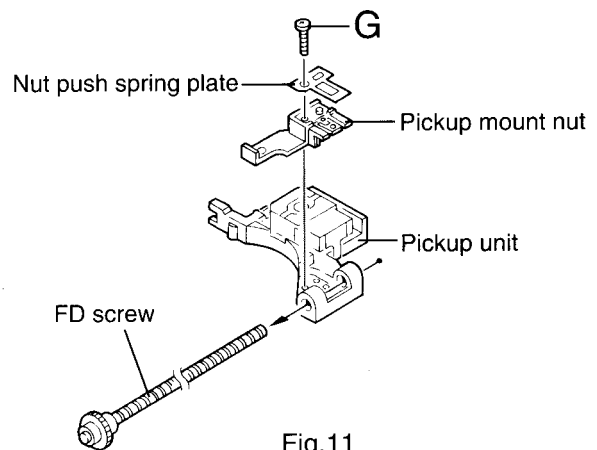


Fig.11

■ Removing the spindle motor
 (See Fig.12 and 13)

- Prior to performing the following procedure, remove the CD mechanism control board, the front bracket (loading motor), the CD mechanism ass'y and the feed motor ass'y.

1. Turn up the CD mechanism ass'y and remove the two springs i on both sides of the clamber arms. Open the clamber arm upward.

2. Turn the turn table, and remove the two screws H and the spindle motor.

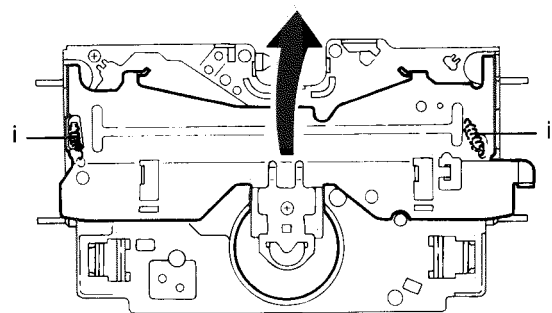


Fig.12

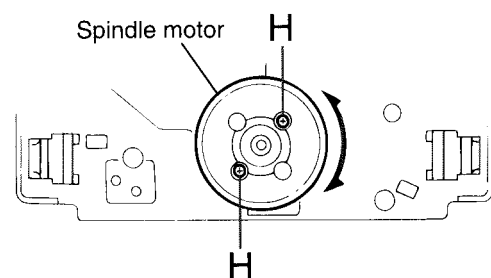


Fig.13

Adjustment method

■ Test instruments required adjustment

1. Digital oscilloscope (100MHz)
2. AM Standard signal generator
3. FM Standard signal generator
4. Stereo modulator
5. Electric voltmeter
6. Digital tester
7. Tracking offset meter
8. Test Disc JVC : CTS-1000
9. Extension cable for check
EXTGS004-26P

■ Standard volume position

Balance and Bass & Treble volume : Indication "0"
Loudness : OFF
BBE : OFF

■ Frequency Band

FM 87.5MHz - 107.9MHz
AM 530kHz - 1710kHz

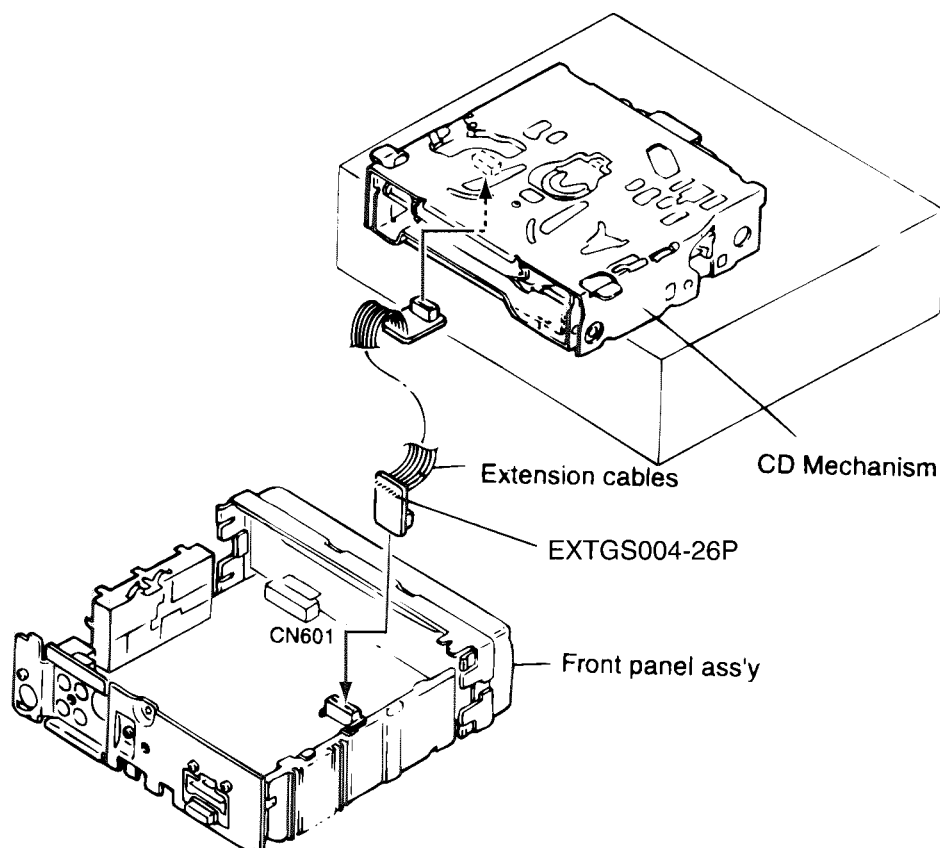
■ Dummy load

Exclusive dummy load should be used for AM, and FM.
For FM dummy load, there is a loss of 6dB between SSG output and antenna input. The loss of 6dB need not be considered since direct reading of figures are applied in this working standard.

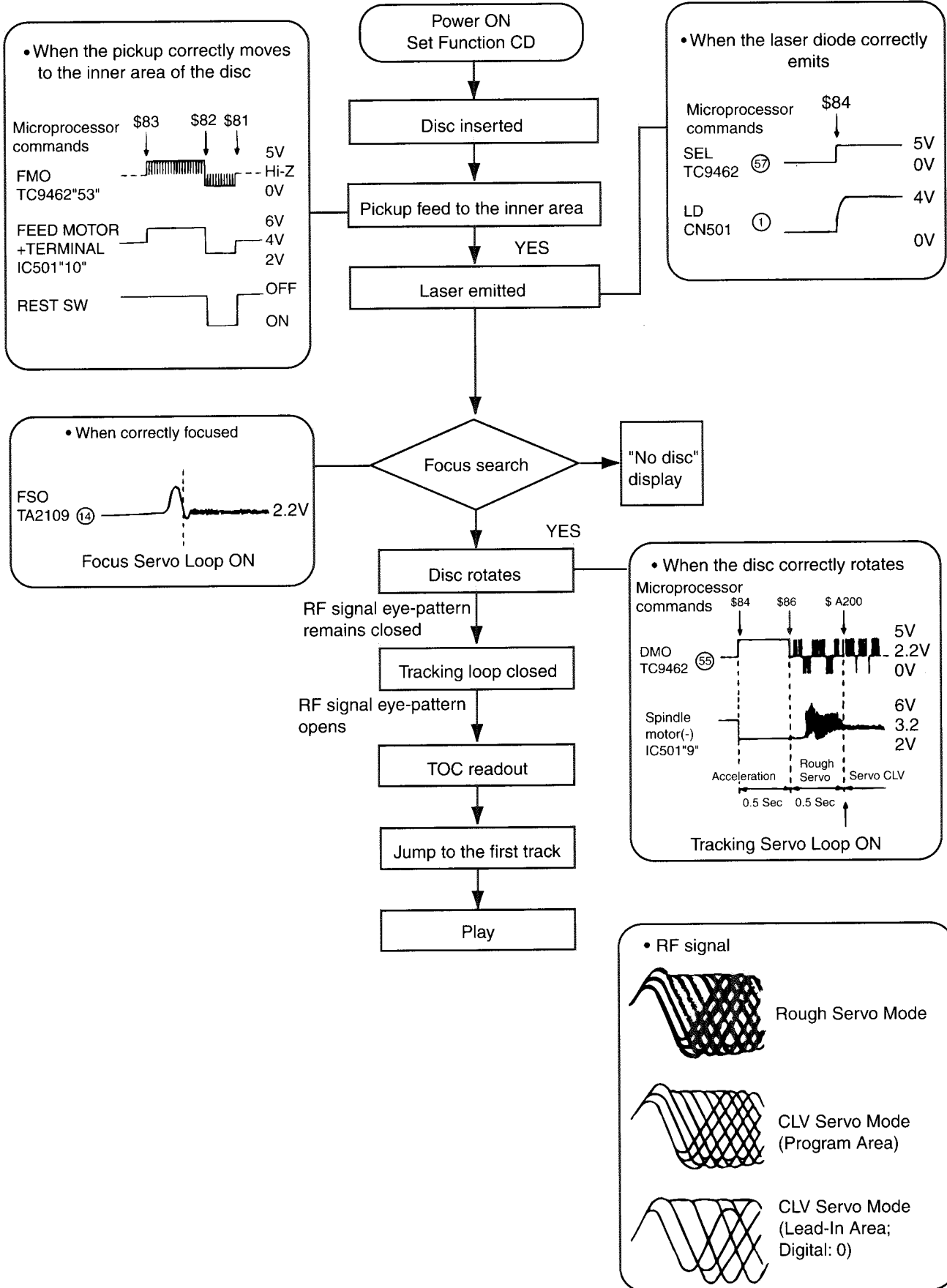
■ Standard measuring conditions

Power supply voltage DC14.4V(10.5 - 16V)
Load impedance 20Kohm(2 Speakers connection)
Output level Line out (Vol. MAX)

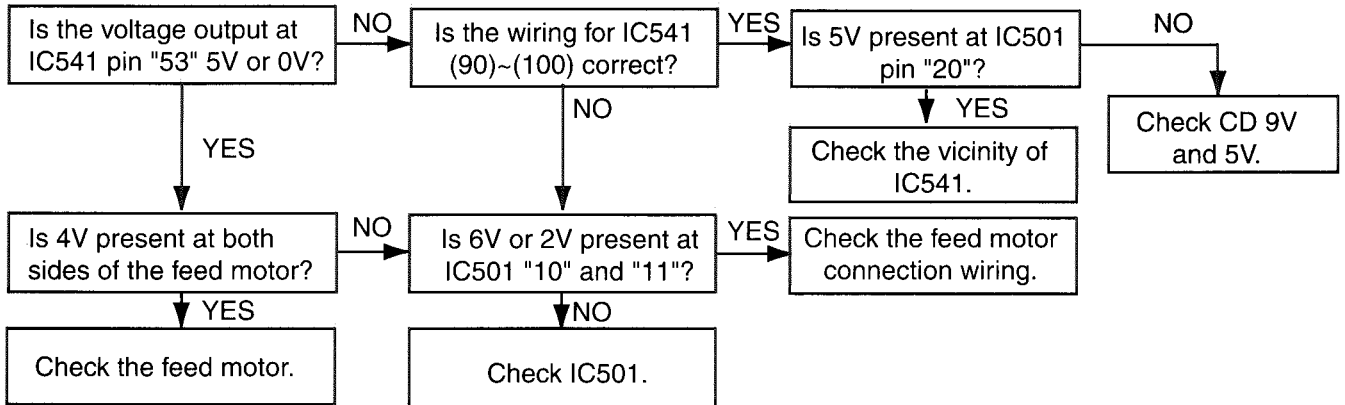
■ How to connect the extension cable for adjusting



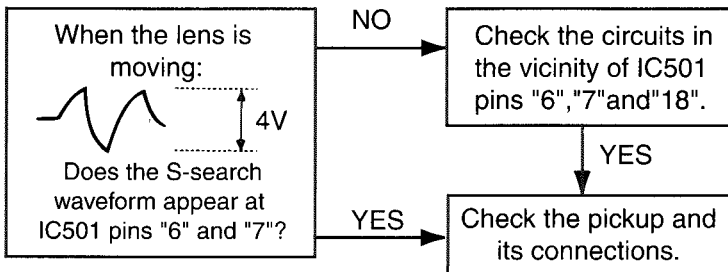
Flow of functional operation unit TOC read



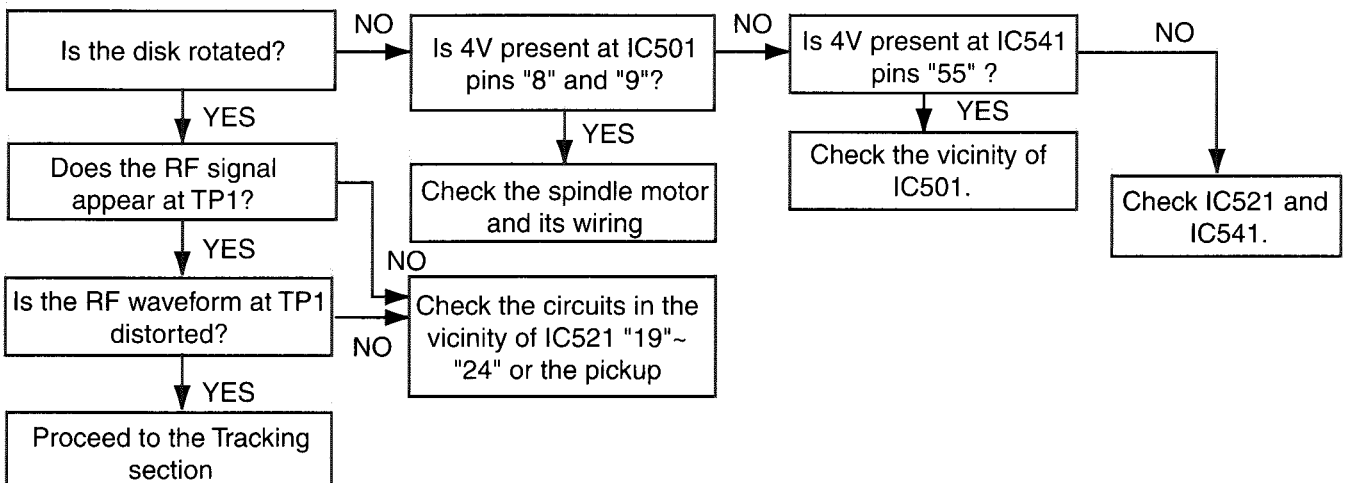
■ **Feed section**



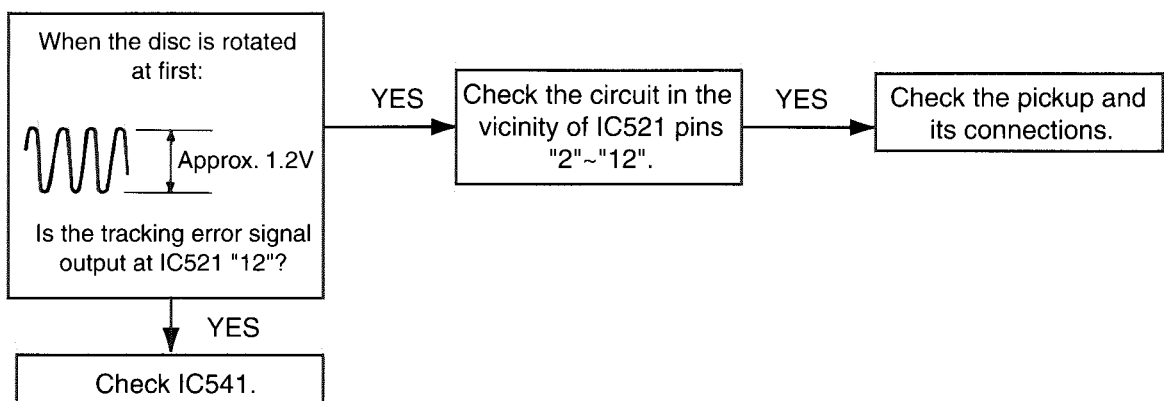
■ **Focus section**



■ **Spindle section**



■ **Tracking section**



Maintenance of laser pickup

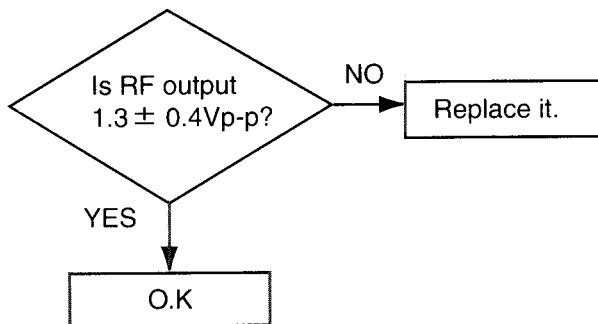
(1) Cleaning the pick up lens

Before you replace the pick up, please try to clean the lens with a alcohol soaked cotton swab.

(2) Life of the laser diode

When the life of the laser diode has expired, the following symptoms will appear.

- (1) The level of RF output (EFM output: amplitude of eye pattern) will be low.



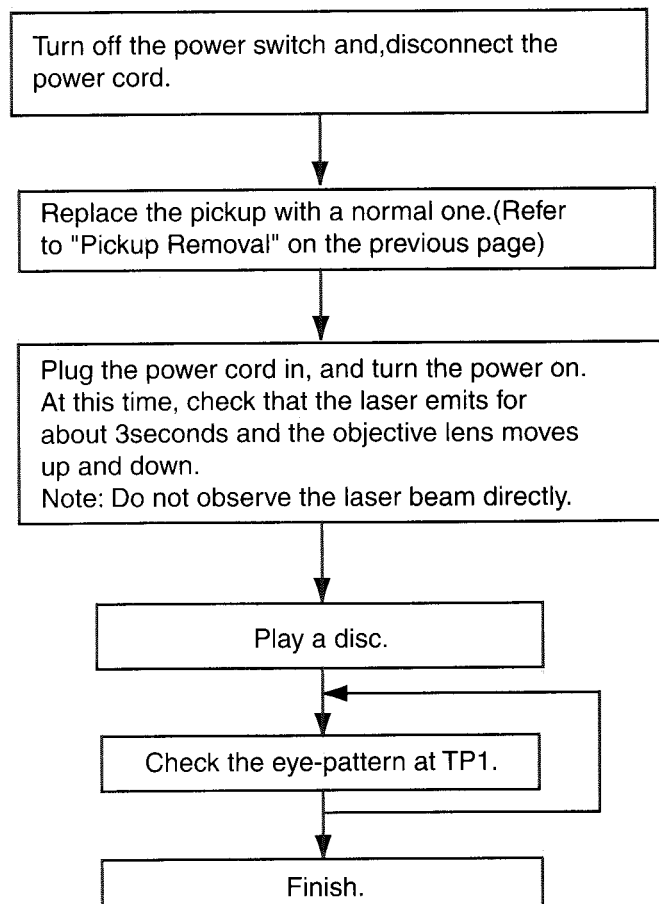
(3) Semi-fixed resistor on the APC PC board

The semi-fixed resistor on the APC printed circuit board which is attached to the pickup is used to adjust the laser power. Since this adjustment should be performed to match the characteristics of the whole optical block, do not touch the semi-fixed resistor.

If the laser power is lower than the specified value, the laser diode is almost worn out, and the laser pickup should be replaced.

If the semi-fixed resistor is adjusted while the pickup is functioning normally, the laser pickup may be damaged due to excessive current.

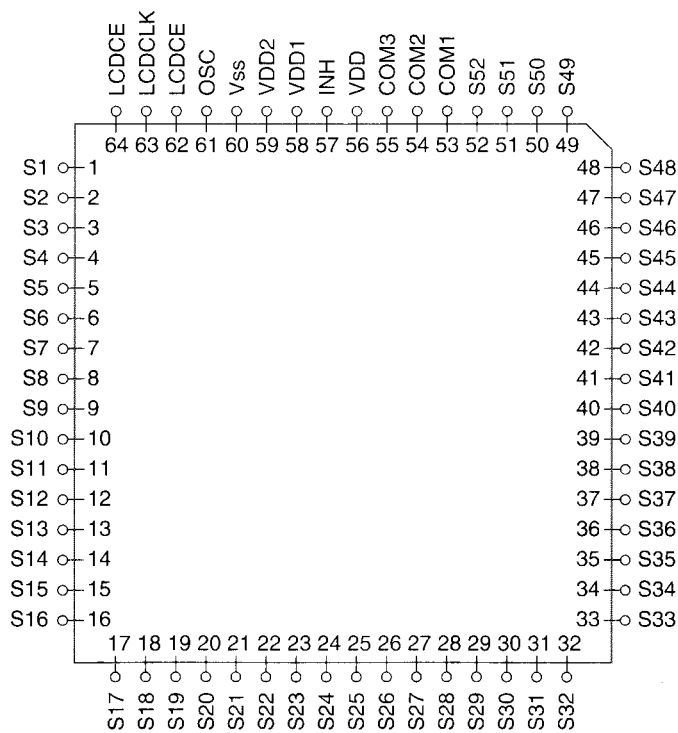
Replacement of laser pickup



Description of major ICs

■ LC75823W (IC691) : LCD Driver

1. Pin Layout & Symbol

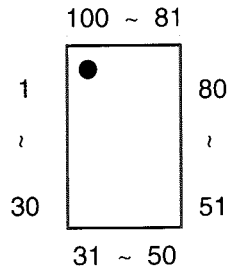


2. Pin Function

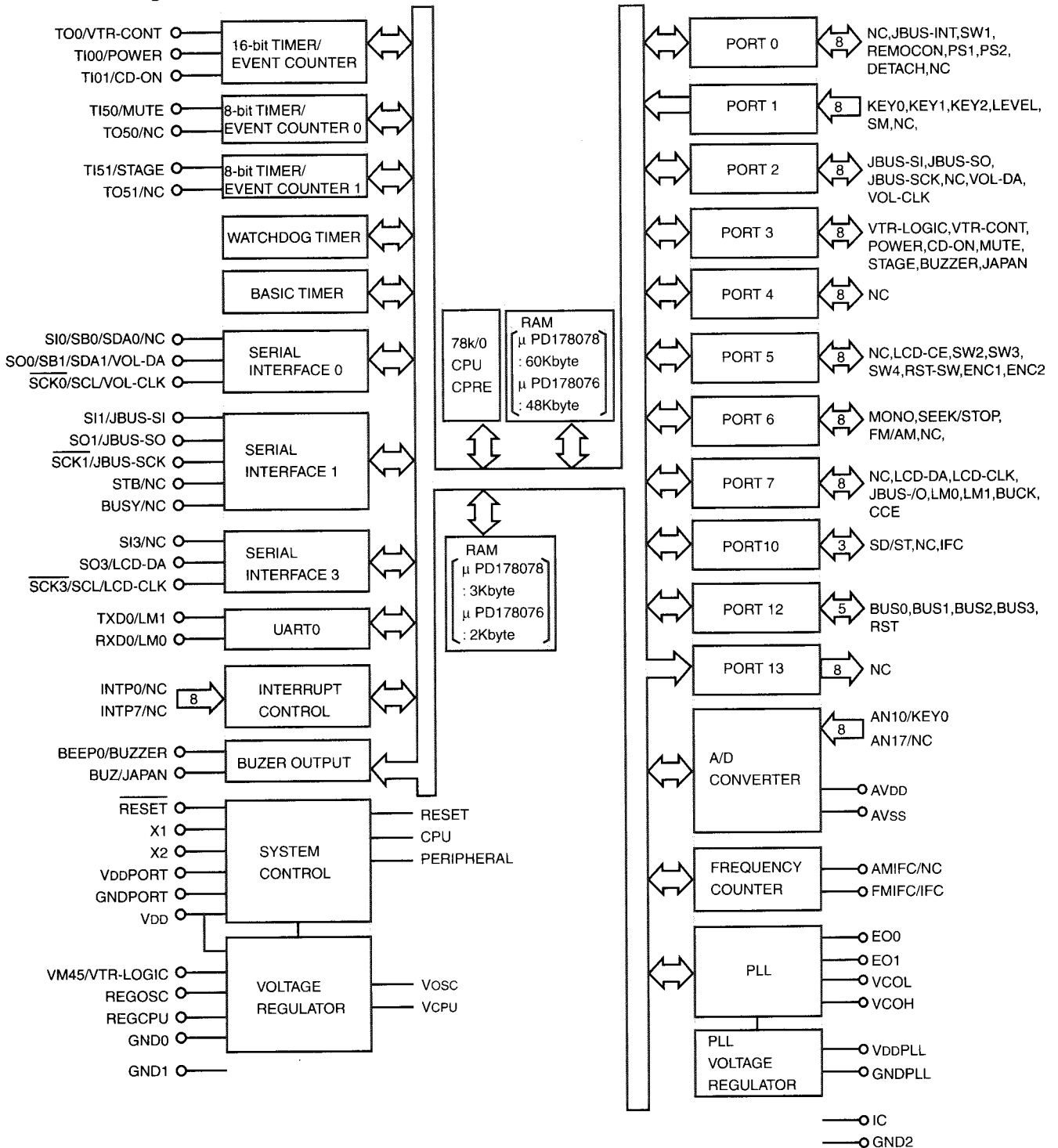
Pin No.	Symbol	I/O	Function
1 to 52	S1 to S52	O	Segment output pins used to display data transferred by serial data input.
53 to 55	COM1 to COM3	O	Common driver output pins. The frame frequency is given by : $t_0 = (f_{osc}/384)Hz$.
56	VDD	--	Power supply connection. Provide a voltage of between 4.5 and 6.0V.
57	\overline{INH}	I	Display turning off input pin. $\overline{INH} = "L"$ (Vss) ----- off (S1 to S52, COM1 to COM3="L") $\overline{INH} = "H"$ (VDD)----- on Serial data can be transferred in display off mode.
58	VDD1	I	Used for applying the LCD drive 2/3 bias voltage externally. Must be connected to VDD2 when a 1/2 bias drive scheme is used.
59	VDD2	I	Used for applying the LCD drive 1/3 bias voltage externally. Must be connected to VDD1 when a 1/2 bias drive scheme is used.
60	Vss	--	Power supply connection. Connect to GND.
61	OSC	I/O	Oscillator connection. An oscillator circuit is formed by connecting an external resistor and capacitor at this pin.
62	LCDCE		Serial data interface connection CE : Chip enable
63	LCDCLK	I	to the controller. CLK : Sync clock
64	LCDDI		DI : Transfer data

■ UPD178076GF-520 (IC701) : System CPU

1. Terminal layout



2. Block diagram



3.Pin function

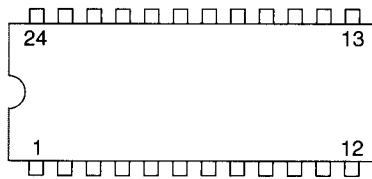
UPD178076GF(1/2)

Pin NO.	Symbol	I/O	FUNCTION
1	NC	-	Non connection
2	JBUS-INT	I	JVC BUS COMMUNICATION LINE
3	JBUS-SI	I	JVC BUS COMMUNICATION LINE
4	JBUS-SO	O	JVC BUS COMMUNICATION LINE
5	JBUS-SCK	O	JVC BUS COMMUNICATION LINE
6	NC	-	Non connection
7	NC	-	Non connection
8	NC	-	Non connection
9	VOL-DA	O	VOL IC COMMUNICATION LINE
10	VOL-CLK	O	VOL IC COMMUNICATION LINE
11	NC	-	Non connection
12	LCD-DA	O	CD DRIVER COMMUNICATION LINE
13	LCD-CLK	O	LCD DRIVER COMMUNICATION LINE
14	JBUS-I/O	O	JVC BUS OUTPUT SELECT
15	NC	-	Non connection
16	LCD-CE	O	LCD DRIVER COMMUNICATION LINE
17	SW2	I	CD MECHA SW
18	SW3	I	CD MECHA SW
19	SW4	I	CD MECHA SW
20	RST-SW	I	TRAVERSE MECHA REST SW
21	ENC1	I	ENCODER INPUT
22	ENC2	I	ENCORDER INPUT
23	KEY0	I	KEY INPUT
24	KEY1	I	KEY INPUT
25	KEY2	I	KEY INPUT
26	LEVEL	I	AUDIO LEVEL INPUT
27	AVDD	-	-
28	SM	I	SIGNAL LEVEL METER INPUT
29	NC	-	Non connection
30	NC	-	Non connection
31	NC	-	Non connection
32	AVSS	-	-
33	REGCPU	-	-
34	VDD	-	-
35	REGOSC	-	-
36	X2	-	SYSTEM CLOCK
37	X1	I	SYSTEM CLOCK
38	GND0	-	-
39	SD/ST	I	STATION DETECTOR & STEREO IND.
40	GND2	-	-
41	NC	-	Non connection
42	IFC	I	IF COUNT INPUT
43	VDDPLL	-	-
44	OSC-INPUT	I	FM,AM OSC INPUT
45	NC	-	Non connection
46	GNDPLL	-	-
47	AME0	O	PLL ERROR OUTPUT FOR AM
48	FME0	O	PLL ERROR OUTPUT FOR FM
49	ICVPP	-	SETTING TO WRITE FOR FLASH
50	RESET	I	SYSTEM RESET

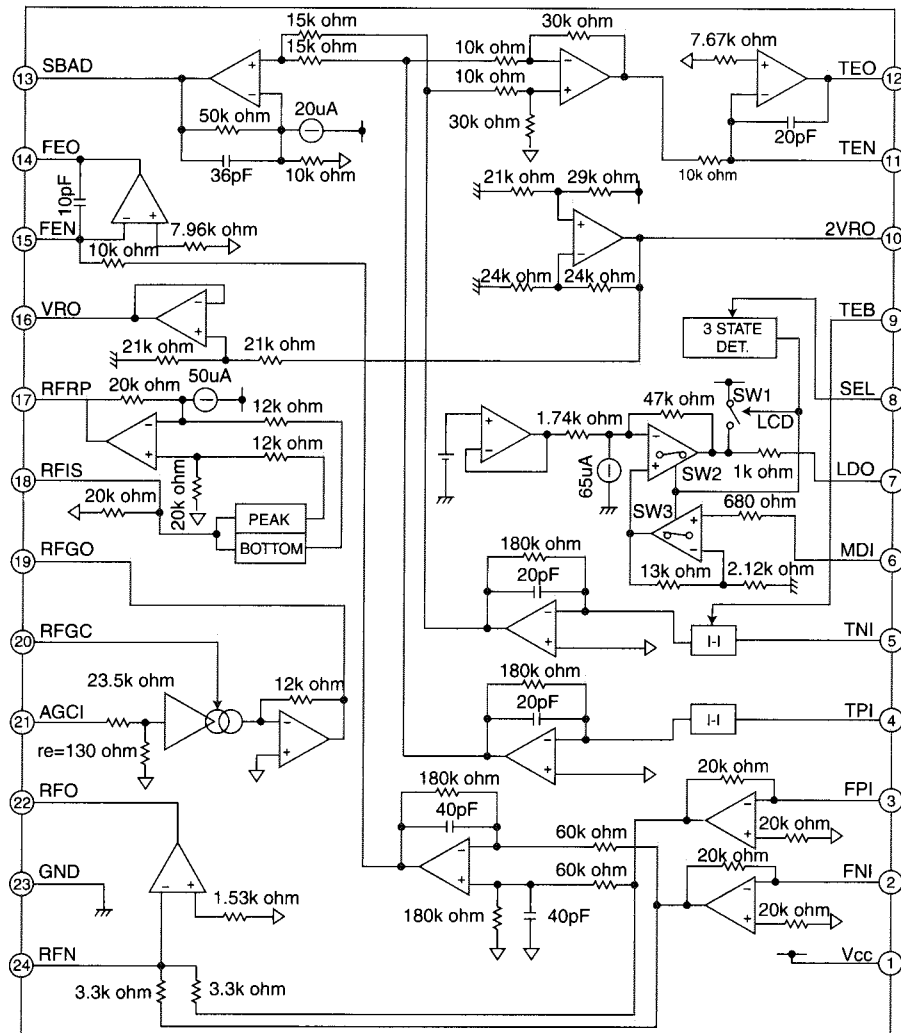
Pin NO.	Symbol	I/O	FUNCTION
51	SW1	I	CD MECHA SW
52	REMOCON	I	REMOCON INPUT
53	VTR-LOGIC	I	SETTING LOGIC OF VTR CONTROL
54	VTR-CONT	O	OUTPUT FOR DIRECT USE
55	POWER	O	POWER CONT.
56	CD-ON	O	CD POWER CONT.
57	MUTE	O	MUTE CONT
58	STAGE	I	SW FOR SX850 AND SX750
59	BUZZER	I	SW FOR USA AND Japan
60	JAPAN	O	BEEP FOR SW OPERATION
61	NC	-	Non connection
62	NC	-	Non connection
63	NC	-	Non connection
64	NC	-	Non connection
65	NC	-	Non connection
66	NC	-	Non connection
67	NC	-	Non connection
68	NC	-	Non connection
69	LM0	O	CD MECHA DRIVER CONT.
70	LM1	O	CD MECHA DRIVER CONT.
71	BUCK	O	CD LSI COMMUNICATION LINE
72	CCE	O	CD LSI COMMUNICATION LINE
73	BUS0	I/O	CD LSI COMMUNICATION LINE
74	BUS1	I/O	CD LSI COMMUNICATION LINE
75	BUS2	I/O	CD LSI COMMUNICATION LINE
76	BUS3	I/O	CD LSI COMMUNICATION LINE
77	RST	O	CD LSI COMMUNICATION LINE
78	PS1	I	ACC DETECTION INPUT
79	PS2	I	MEMORY DETECTION
80	DETACH	I	DETACH DETECTION
81	NC	-	Non connection
82	GND1	-	MONO BY FORCE
83	MONO	O	SWITCHING SEEK & STOP
84	SEEK/STOP	O	BAND SW
85	FM/AM	O	OUTPUT L
86	NC	-	Non connection
87	NC	-	Non connection
88	NC	-	Non connection
89	NC	-	Non connection
90	NC	-	Non connection
91	NC	-	Non connection
92	NC	-	Non connection
93	NC	-	Non connection
94	NC	-	Non connection
95	NC	-	Non connection
96	NC	-	Non connection
97	NC	-	Non connection
98	NC	-	Non connection
99	VDDPORT	-	-
100	GNDPORT	-	-

■ TA2109F-X (IC521) : RF amp.

1. Pin layout



2. Block diagram



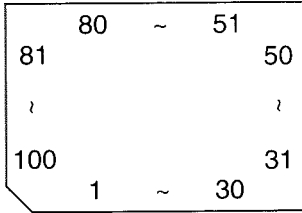
3. Pin function

Pin No.	Symbol	I/O	Pin function	Pin No.	Symbol	I/O	Pin function
1	Vcc	-	Power supply input terminal	13	SBAD	O	Sub beam adder signal output terminal
2	FNI	I	Main beam I-V amp input terminal	14	FEO	O	Focus error signal output terminal
3	FPI	I	Main beam I-V amp input terminal	15	FEN	I	FE amp negative input terminal
4	TPI	I	Sub beam I-v input terminal	16	VRO	O	Reference voltage (VREF) output terminal
5	TNI	I	Sub beam I-V input terminal	17	RFRP	O	Track count signal output terminal
6	MDI	I	Monitor photo diode amp input terminal	18	RFIS	I	RFRP detect circuit input terminal
7	LDO	O	Laser diode amp output terminal	19	RFGO	O	RF gain signal output terminal
8	SEL	I	Laser diode control signal input terminal	20	RFGC	I	RF amplitude adj. control signal input terminal
9	TEB	I	T. error balance adj. signal input terminal	21	AGCI	I	RF signal amplitude adj. amp input terminal
10	2VRO	O	Reference voltage output terminal	22	RFO	O	RF signal output terminal
11	TEN	I	TE amp negative input terminal	23	GND	-	Ground terminal
12	TEO	O	TE error signal output terminal	24	RFN	I	RF amp negative input terminal

KD-SX850
KD-SX750

■ TC9462F (IC541) : DSP & DAC

1.Pin Layout



2.Pin Function (1/2)

Pin No.	Symbol	I/O	Function
1	TEST0	-	Non connection
2	HSO	-	Non connection
3	UHSO	-	Non connection
4	EMPH	-	Non connection
5	LRCK	-	Non connection
6	Vss	-	Digital GND terminal
7	BCK	-	Non connection
8	AOUT	-	Non connection
9	DOUT	-	Non connection
10	MBOV	-	Non connection
11	IPF	-	Non connection
12	SBOK	-	Non connection
13	CLCK	-	Non connection
14	VDD	-	Digital power supply voltage terminal
15	VSS	-	Digital GND terminal
16	DATA	-	Non connection
17	SFSY	-	Non connection
18	SBSY	-	Non connection
19	SPCK	-	Non connection
20	SPDA	-	Non connection
21	COFS	-	Non connection
22	MONIT	-	Non connection
23	VDD	-	Digital power supply voltage terminal
24	TESIO0	I	Test input/output terminal. Normally, keep at "L" level
25	P2VREF	-	PLL double reference voltage supply terminal
26	HSSW	-	Non connection
27	ZDET	-	Non connection
28	PDO	O	Phase difference signal output terminal of EFM signal and PLCK signal
29	TMAXS	O	TMAX detection result output terminal. Selected by command bit (TMPS)
30	TMAX	O	TMAX detection result output terminal. Selected by command bit (TMPS)
31	LPFN	I	LPF amplifier inverting input terminal for PLL
32	LPFO	O	LPF amplifier output terminal for PLL
33	PVREF	-	PLL reference voltage supply terminal
34	VCOREF	I	VCO center frequency reference level terminal
35	VCOF	O	VCO filter terminal
36	AVss	-	Analog GND terminal
37	SLCO	O	Data slice level output terminal
38	RFI	I	RF signal input terminal
39	AVDD	-	Analog power supply voltage terminal

2.Pin Function (2/2)

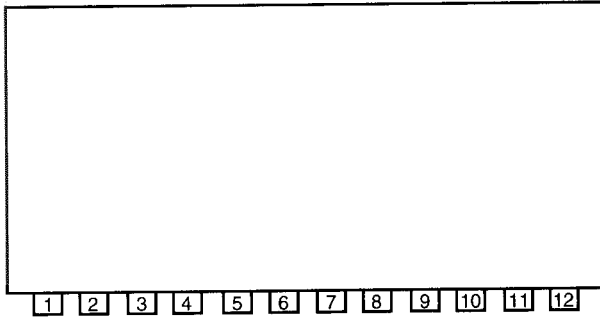
TC9462F

Pin No.	Symbol	I/O	Function
40	RFCT	I	RFRP signal center level input terminal
41	RFZI	I	RFRP zero cross input terminal
42	RFRP	I	RF ripple signal input terminal
43	FEI	I	Focus error signal input terminal
44	SBAD	I	Sub-beam adder signal input terminal
45	TSIN	I	Test input terminal Normally, keep at "vref" level
46	TEI	I	Tracking error signal input terminal. Take in at tracking servo ON.
47	TEZI	I	Tracking error zero cross input terminal
48	FOO	O	Focus servo equalizer output terminal
49	TRO	O	Tracking servo equalizer output terminal
50	VREF	-	Analog reference voltage supply terminal
51	RFGC	O	RF amplitude adjustment control signal output terminal
52	TEBC	O	Tracking balance control signal output terminal
53	FMO	O	Feed equalizer output terminal
54	FVO	O	Speed error signal or feed search equalizer output terminal
55	DMO	O	Disk equalizer output terminal (PWM carrier=88.2kHz for DSP, Synchronize to PXO)
56	2VREF	-	Analog double reference voltage supply terminal
57	SEL	O	APC circuit ON/OFF indication signal output terminal
58~61	FLGA~D	-	Non connection
62	VDD	-	Digital power supply voltage terminal
63	VSS	-	Digital GND terminal
64~67	IO0~3	-	Non connection
68	DMOUT	-	Non connection
69	CKSE	-	Non connection
70	DDACT	-	Non connection
71	TESIN	I	Test input terminal, Normally, keep at "L" level
72	TESIO1	I	Test input/output terminal. Normally, keep at "L" level
73	VSS	-	Digital GND terminal
74	PXI	I	Crystal oscillator connecting input terminal for DSP
75	PXO	-	Non connection
76	VDD	-	Digital power supply voltage terminal
77	XVSS	-	Oscillator GND terminal for system clock
78	XI	I	Crystal oscillator connecting input terminal for system clock
79	XO	O	Crystal oscillator connecting output terminal for system clock
80	XVDD	-	Oscillator power supply voltage terminal for system clock
81	DVSR	-	Analog GND terminal for DA converter (Rch)
82	RO	O	R channel data forward output terminal
83	DVDD	-	Analog supply voltage terminal for DA converter
84	DVR	-	Reference voltage terminal for DA converter
85	LO	O	L channel data forward output terminal
86	DVSL	-	Analog GND terminal for DA converter (Lch)
87~89	TEST1~3	-	Test mode terminal . Normal keep at open
90~93	BUS0~3	I/O	Micon interface data input/output terminal
94	VDD	-	Digital power supply voltage terminal
95	VSS	-	Digital GND terminal
96	BUCK	I	Micon interface clock input terminal
97	CCE	I	Command and data sending/receiving chip enable signal input terminal
98	TEST4	I	Test mode terminal. Normal, keep at open
99	TSMOD	I	Local test mode selection terminal
100	RST	I	Reset signal input terminal. Reset at "L" level

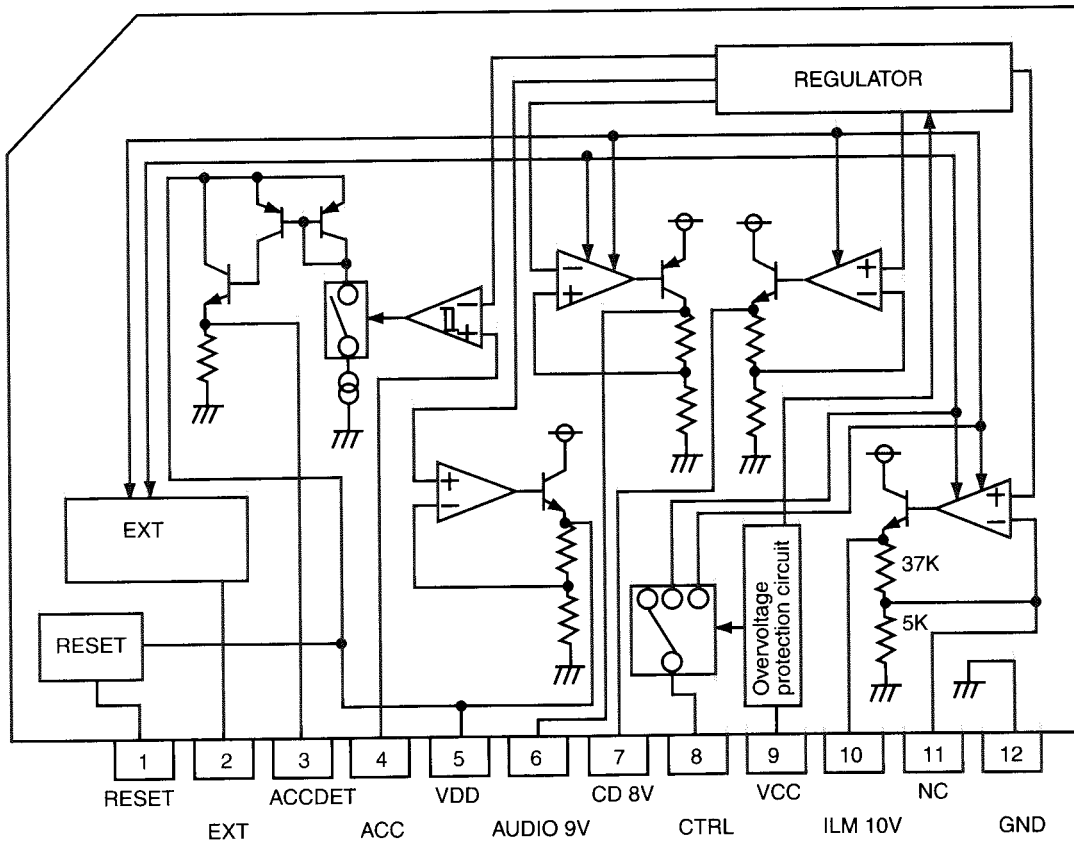
KD-SX850
KD-SX750

■ BA4905-V3 (IC901) : Rerulator

1. Terminal layout



2. Block daigram



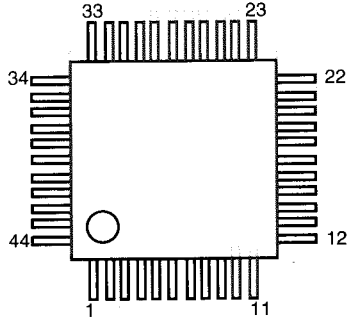
3.Pin function

BA4905-V3

Pin no.	Symbol	Function
1	RESET	If VDD voltage becomes 4V or less.RESET output becomes low level.
2	EXT	This output voltage is approximately 0.5V lower than VCC. and max output current is 300mA.
3	ACCDET	A voltage supply for ACC block. This output voltage is approximately 0.7V lower than VDD's. The max output current is 100mA.
4	ACC	Control of the COMP output by inputting voltage.
5	VDD	This output voltage is 5.7V, and max output current is 100mA. This voltage supply is for microcomputer. Whenever back up voltage supply is connected, the output keeps on running.
6	AUDIO9V	This output voltage is 9.0v, and max output current is 500mA. This voltage supply for AUDIO.
7	CD8V	This output voltage is 8.0V, and max output current is 1A. This voltage supply for CD.
8	CTRL	Output selector of CD. AUDIO, ILM and EXT.
9	VCC	To be connected with the BACK UP of car.
10	ILM10V	This output voltage is 10V, and max output current is 500mA. Output voltage is adjustable.
11	NC	Non connection
12	GND	Ground.

■ **BD3860K-X (IC161) : E.VOL & BBEII**

1. Terminal layout

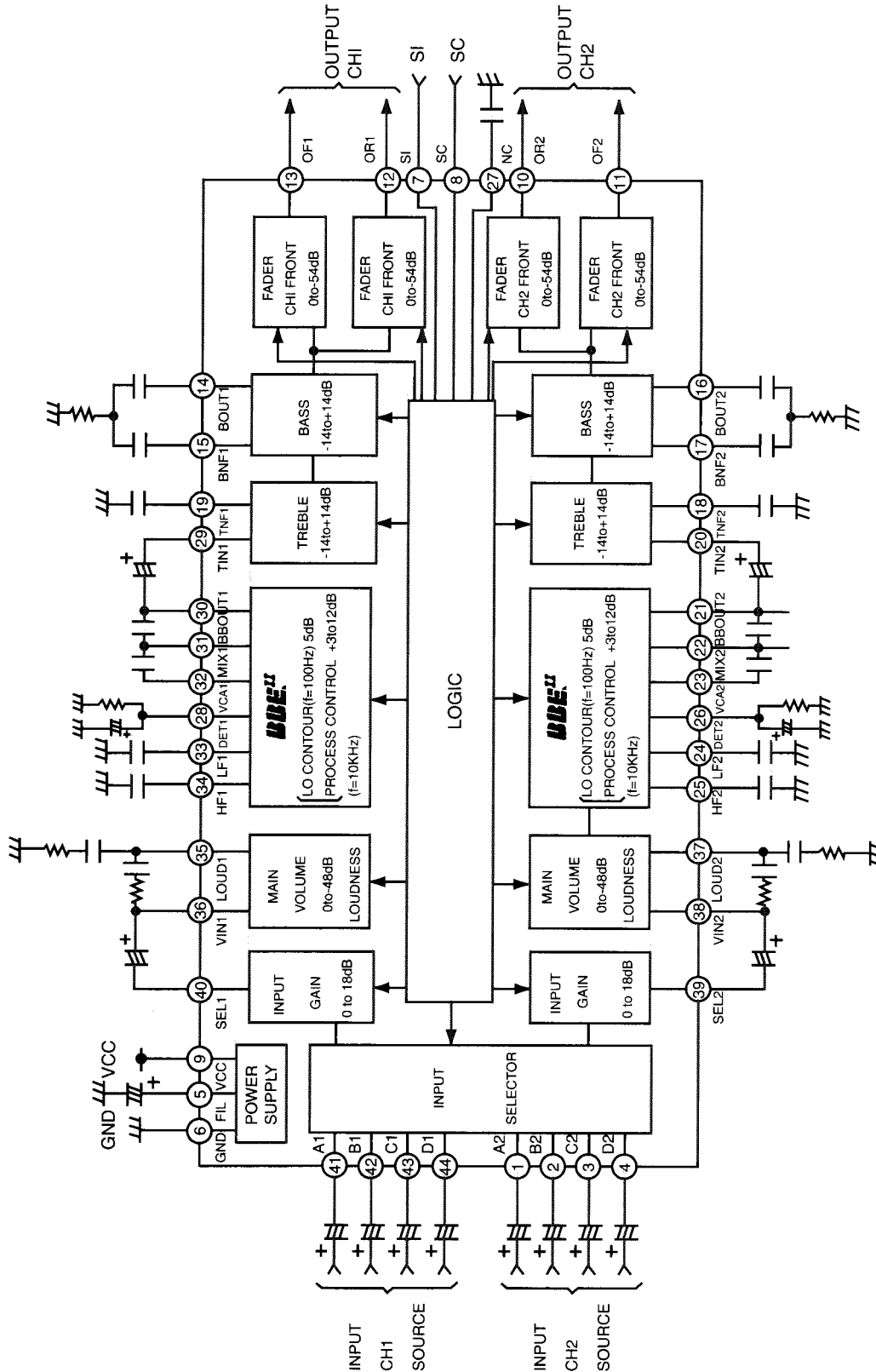


2. Pin function

No.	Symbol	Function	No.	Symbol	Function
1	A2	CH2 Input Pin A	23	VCA2	CH2 High Pass VCA Output Pin
2	B2	2CH Input Pin B	24	LF2	CH2 Low Pass Filter Setting Pin
3	C2	CH2 Input Pin C	25	HF2	CH2 High Pass Filter Setting Pin
4	D2	CH2 Input Pin D	26	DET2	CH2 High Pass Attack/Release Time Setting Pin
5	FIL	1/2 VCC Pin	27	NC	Non connection
6	GND	Ground Pin			
7	SI	Serial Data Receiving Pin			
8	SC	Serial Clock Receiving Pin	28	DET1	CH1 High Pass Attack/Release Time Setting Pin
9	VCC	Power Supply Pin	29	TIN1	CH1 Treble Input Pin
10	OR2	CH2 Rear Output Pin	30	BBOUT1	CH1 BBE II signal output pin
11	OF2	CH2 Front Output Pin	31	MIX1	CH1 Output MIX Amplifier Inverse Input Pin
12	OR1	CH1 Rear Output Pin			
13	OF1	CH1 Front Output Pin	32	VCA1	CH1 High Pass VCA Output Pin
14	BOUT1	CH1 Bass Filter Setting Pin	33	LF1	CH1 Low Pass Filter Setting Pin
15	BNF1	CH1 Bass Filter Setting Pin	34	HF1	CH1 High Pass Filter Setting Pin
16	BOUT2	CH2 Bass Filter Setting Pin	35	LOUD1	CH1 Loudness Filter Setting Pin
17	BNF2	CH2 Bass Filter Setting Pin	36	VIN1	CH1 Main Volume Input Pin
18	TNF2	CH2 Treble Filter setting pin	37	LOUD2	CH2 Loudness Filter Setting Pin
19	TNF1	CH1 Treble Filter Setting Pin	38	VIN2	CH2 Main Volume Input Pin
20	TIN2	CH2 Treble Input Pin	39	SEL2	CH2 Input Gain Output Pin
21	BBOUT2	CH2 BBE II Signal Output Pin	40	SEL1	CH1 Input Gain Output Pin
22	MIX2	CH2 Output MIX Amplifier Inverse Input Pin	41	A1	CH1 Input Pin A
			42	B1	CH1 Input Pin B
			43	C1	CH1 Input Pin C
			44	D1	CH1 Input PinD

3. Block diagram

BD3860K-X



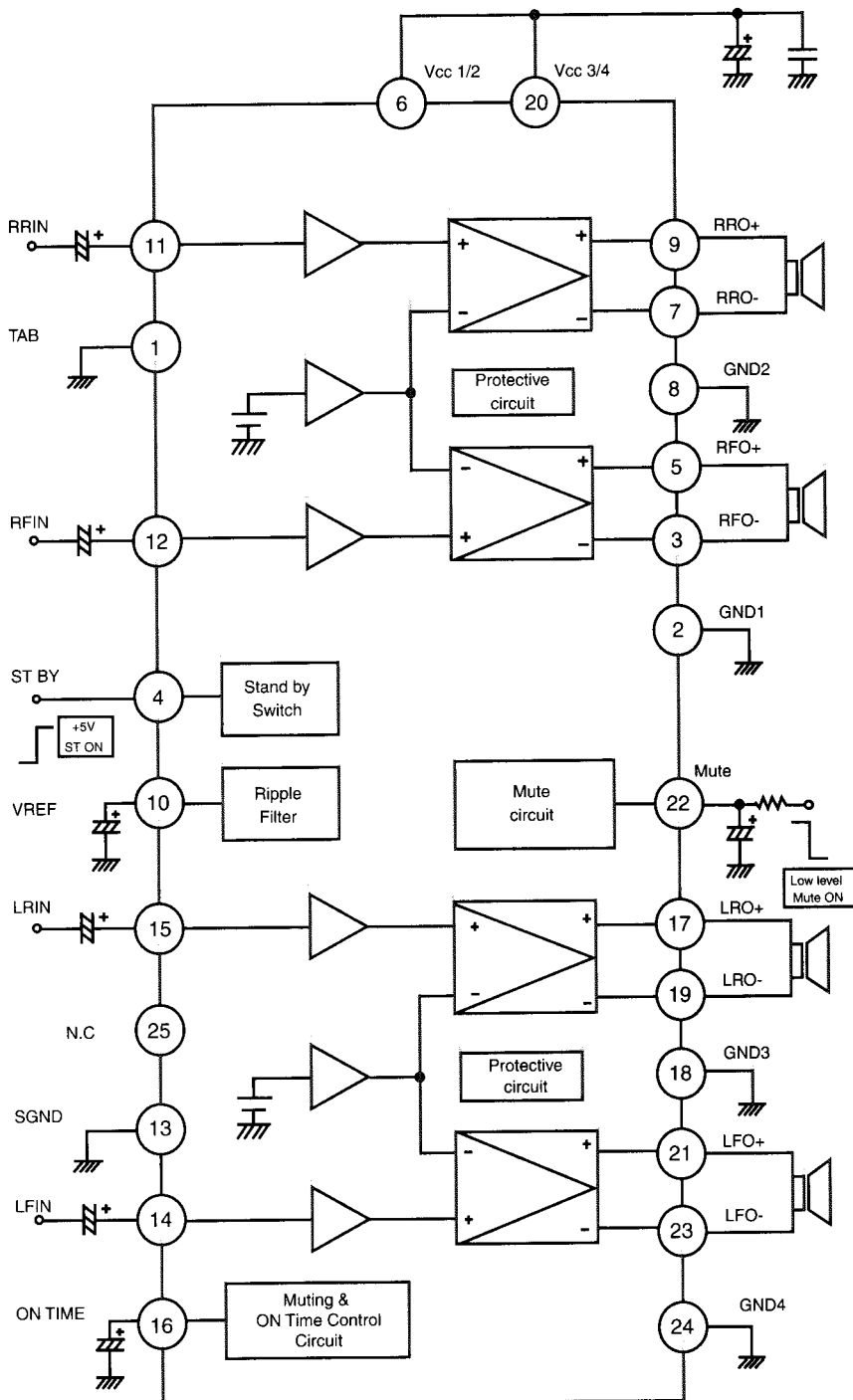
KD-SX850
KD-SX750

■ LA4743B (IC302) : Power amp

1. Terminal layout



2. Block diagram



3.Pin function

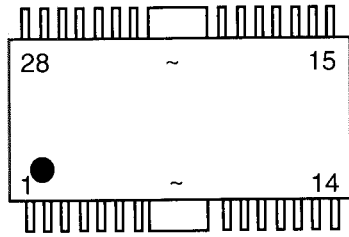
LA4743B(2/2)

Pin NO.	Symbol	Function
1	TAB	Header of IC
2	GND1	Power GND
3	RFO-	Output (-) for front Rch
4	STBY	Stand by input
5	RFO+	Output (+) for front Rch
6	VCC1/2	Power input
7	RRO-	Output (-) for rear Rch
8	GND2	Power GND
9	RRO+	Output (+) for rear Rch
10	R.F	Ripple filter
11	RRIN	Rear Rch input
12	RFIN	Front Rch input
13	SGND	Signal GND
14	LFIN	Front Lch input
15	LRIN	Rear Lch input
16	ONTIME	Power on time control
17	LRO+	Output (+) for rear Lch
18	GND3	Power GND
19	LRO-	Output (-) for rear Lch
20	VCC3/4	Power input
21	LFO+	Output (+) for front
22	MUTE	Muting control input
23	LFO-	Output (-) for front
24	GND4	Power GND
25	NC	Non connection

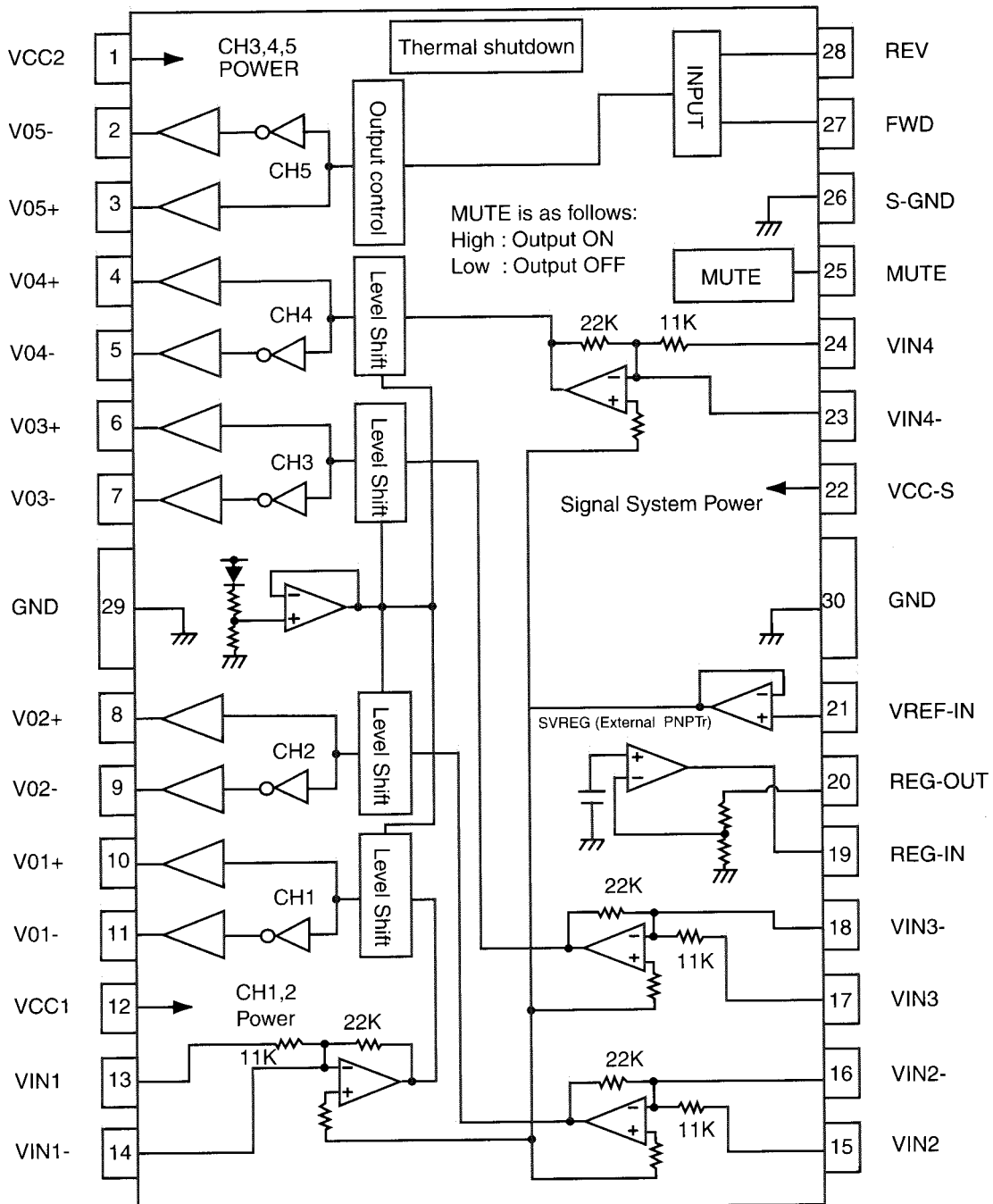
KD-SX850
 KD-SX750

■ LA6557-X (IC501) : BTL Driver

1. Terminal layout



2. Block diagram



3.Pin function

LA6557-X(2/2)

Pin NO.	Symbol	Function
1	VCC2	Power for channels 3,4, and 5 (VCC1 and VCC-S short-circuited)
2	V05-	Loading output (-)
3	V05+	Loading output (+)
4	V04+	Output pin (+) for channel 4
5	V04-	Output pin (-) for channel 4
6	V03+	Output pin (+) for channel 3
7	V03-	Output pin (-) for channel 3
8	V02+	Output pin (+) for channel 2
9	V02-	Output pin (-) for channel 2
10	V01+	Output pin (+) for channel 1
11	V01-	Output pin(-) for channel 1
12	VCC1	Power for channels 1 and 2 (BTL), (VCC-S and VCC2 short-circuited)
13	VIN1	Non connection
14	VIN1-	Input pin for channel 1 (for gain control)
15	VIN2	Non connection
16	VIN2-	Input pin for channel 2 (for gain control)
17	VIN3	Non connection
18	VIN3-	Input pin for channel 3 (for gain control)
19	REG-IN	Regulator pin (External PNP base)
20	REG-OUT	Regulator pin (External PNP collector)
21	VREF-IN	Reference voltage input pin
22	VCC-S	Signal system power (VCC and VCC2 short-circuited)
23	VIN4-	Input pin for channel 4 (for gain control)
24	VIN4	Non connection
25	MUTE	Output ON/OFF, channels 1 to 4 (BTL AMP)
26	S-GND	Signal system GND
27	FWD	5CH(VL0) Output change pin (FWD), Logic input for loading block
28	REV	5CH(VL0) Output change pin (REV), Logic input for loading block
29	GND	Frame GND
30	GND	Frame GND

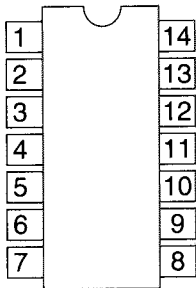
* The center frame (FR) functions as power system GND. Set this to the minimum potential together with S-GND.

* Short-circuit three pins of power system, VCC-S, VCC1, and VCC2, externally before use.

KD-SX850
 KD-SX750

■ HD74HC126FP-X (IC801) : Buffer

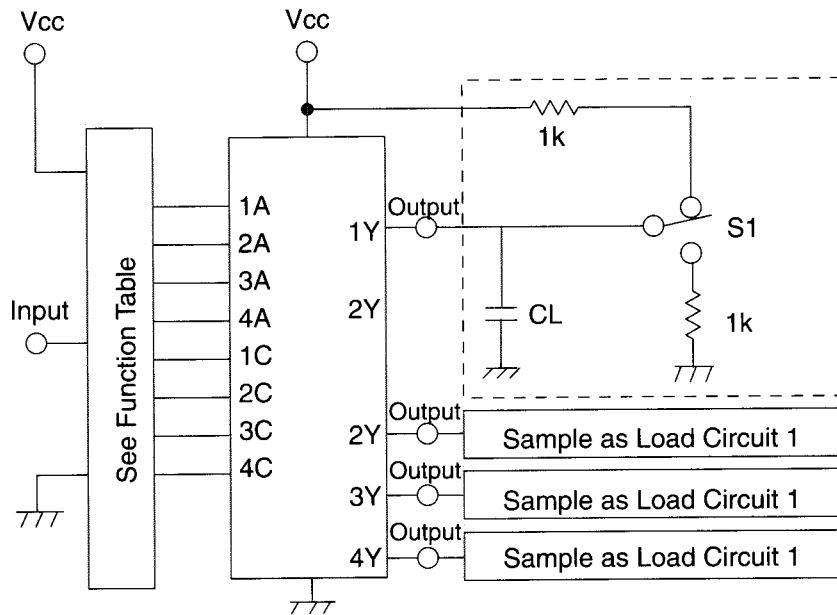
1. Pin layout



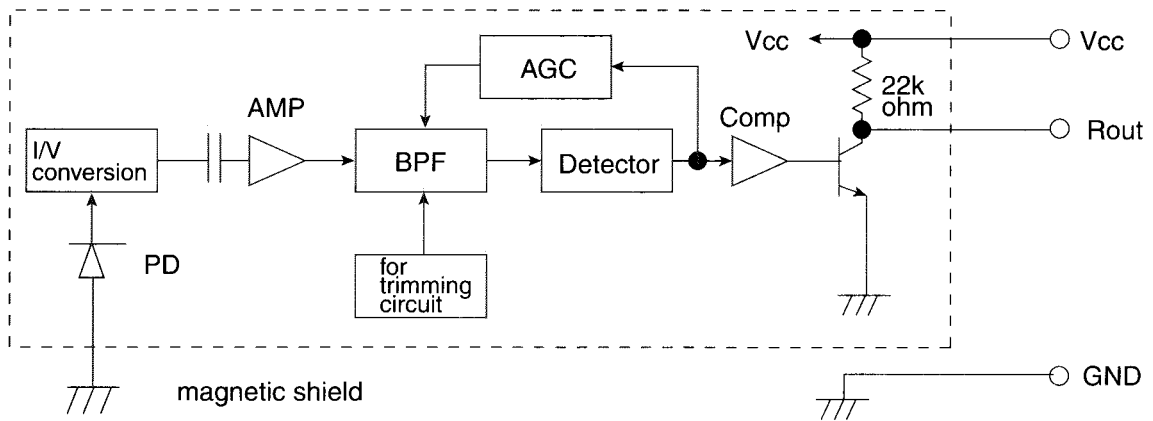
2. Function

Inputs		Outputs
C	A	Y
L	X	Z
H	L	H
H	H	L

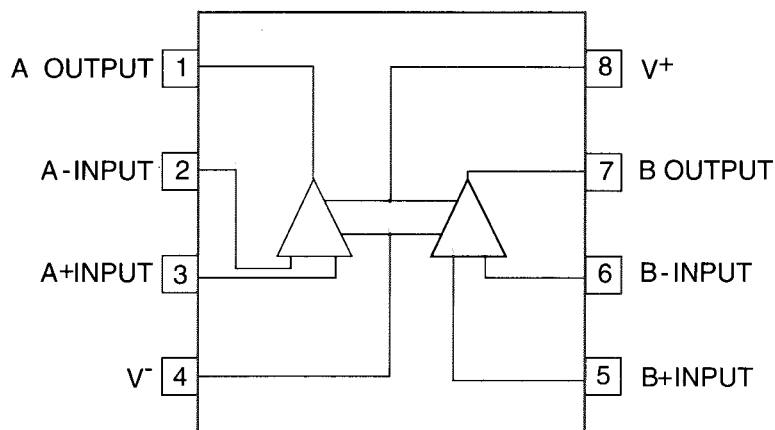
3. Block diagram



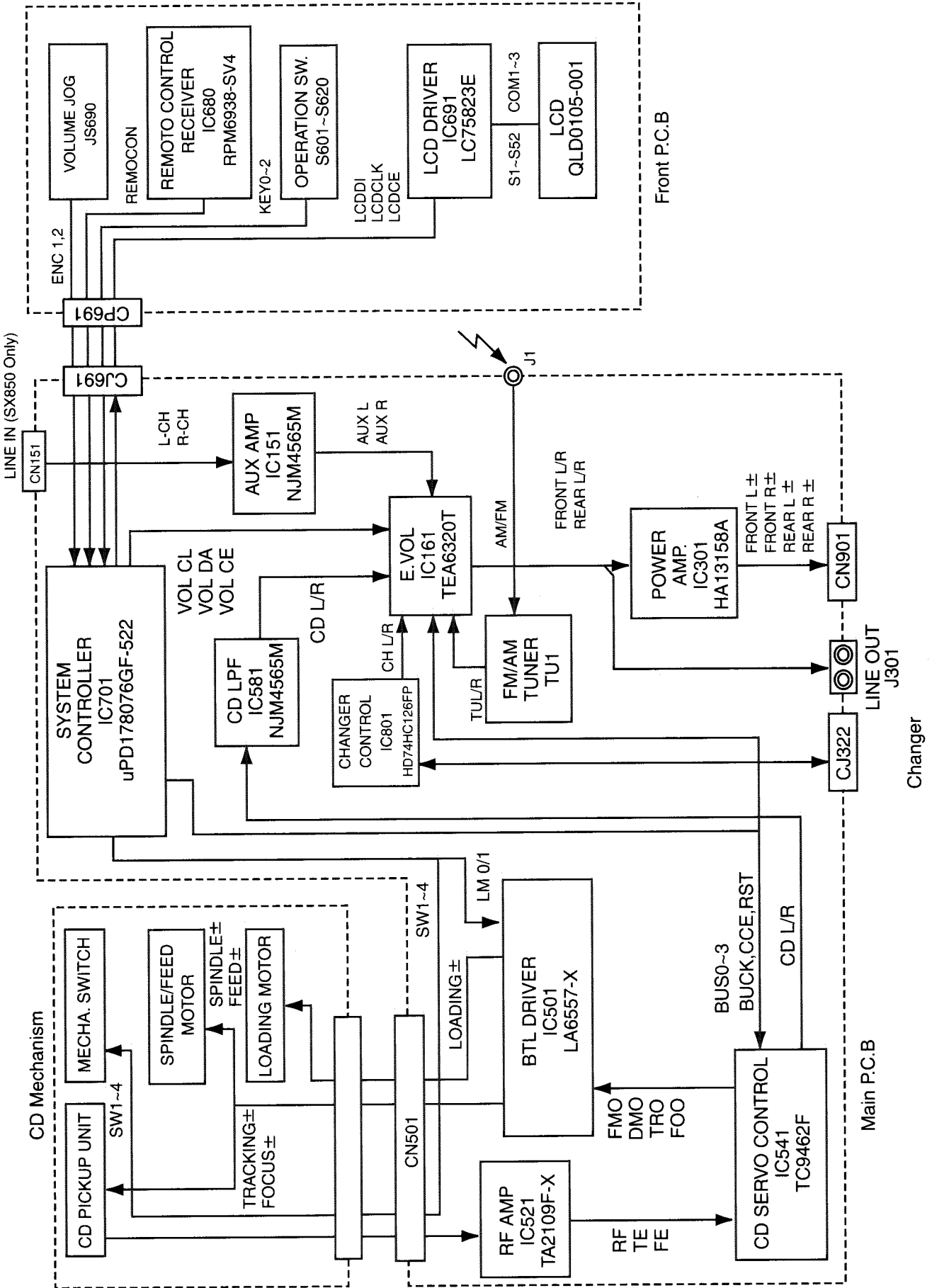
■ RPM6938-SV4 (IC680) : Remote control receiver



■ NJM4565M-WE (IC581,IC151) : Ope. amp



Block diagram



Standard schematic diagrams

Receiver & power amplifier circuit

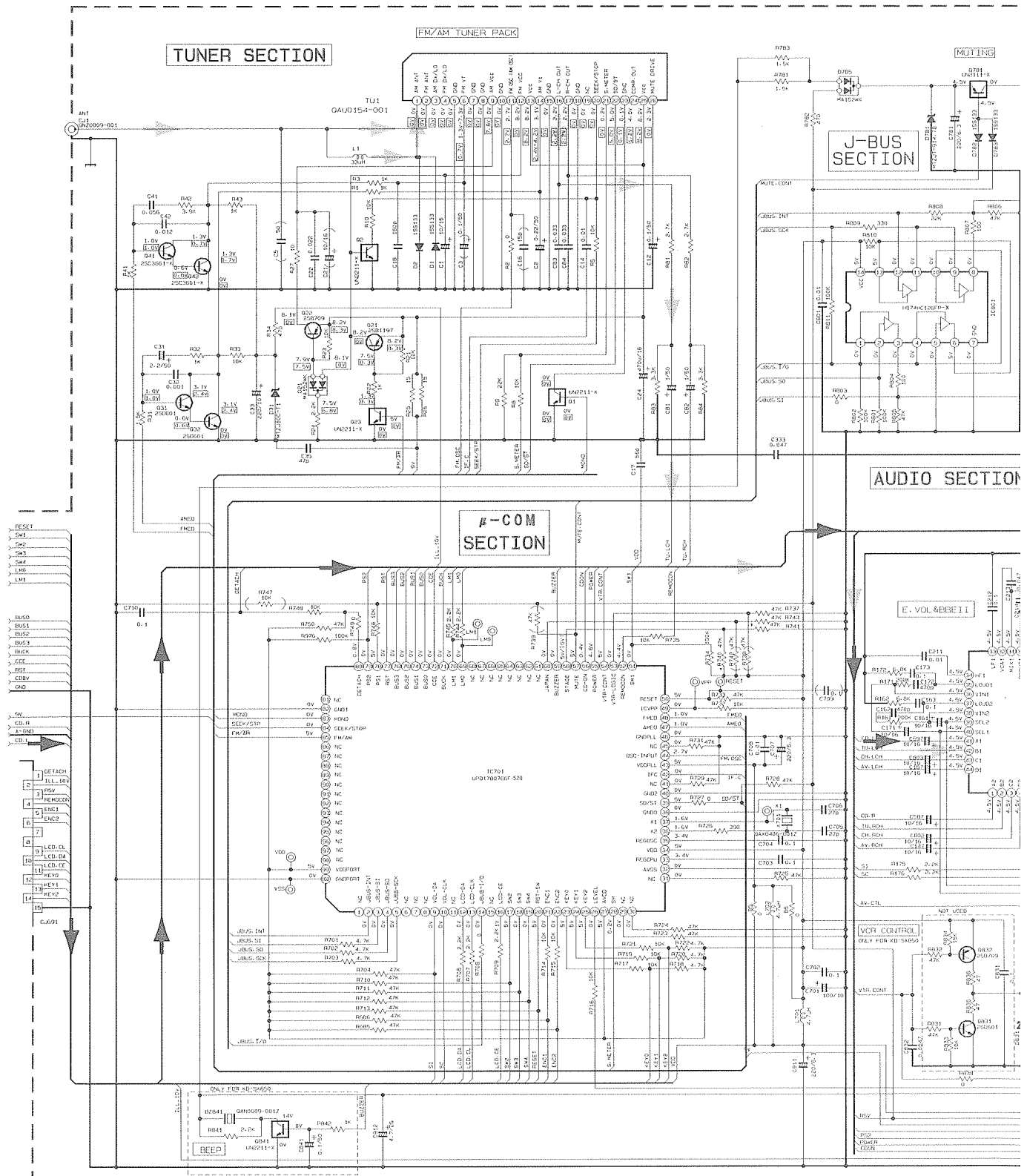
5

4

3

2

1



Note: s/C/jes/3106.001

REF. NO.	VALUE	PART NO.	USED
R740	10K	RES-10K	✓
R741	10K	RES-10K	✓
R742	10K	RES-10K	✓
R743	10K	RES-10K	✓
R744	10K	RES-10K	✓
R745	10K	RES-10K	✓
R746	10K	RES-10K	✓
R747	10K	RES-10K	✓
R748	10K	RES-10K	✓
R749	10K	RES-10K	✓
R750	10K	RES-10K	✓
R751	10K	RES-10K	✓
R752	10K	RES-10K	✓
R753	10K	RES-10K	✓
R754	10K	RES-10K	✓
R755	10K	RES-10K	✓
R756	10K	RES-10K	✓
R757	10K	RES-10K	✓
R758	10K	RES-10K	✓
R759	10K	RES-10K	✓
R760	10K	RES-10K	✓
R761	10K	RES-10K	✓
R762	10K	RES-10K	✓
R763	10K	RES-10K	✓
R764	10K	RES-10K	✓
R765	10K	RES-10K	✓
R766	10K	RES-10K	✓
R767	10K	RES-10K	✓
R768	10K	RES-10K	✓
R769	10K	RES-10K	✓
R770	10K	RES-10K	✓
R771	10K	RES-10K	✓
R772	10K	RES-10K	✓
R773	10K	RES-10K	✓
R774	10K	RES-10K	✓
R775	10K	RES-10K	✓
R776	10K	RES-10K	✓
R777	10K	RES-10K	✓
R778	10K	RES-10K	✓
R779	10K	RES-10K	✓
R780	10K	RES-10K	✓
R781	10K	RES-10K	✓
R782	10K	RES-10K	✓
R783	10K	RES-10K	✓
R784	10K	RES-10K	✓
R785	10K	RES-10K	✓
R786	10K	RES-10K	✓
R787	10K	RES-10K	✓
R788	10K	RES-10K	✓
R789	10K	RES-10K	✓
R790	10K	RES-10K	✓
R791	10K	RES-10K	✓
R792	10K	RES-10K	✓
R793	10K	RES-10K	✓
R794	10K	RES-10K	✓
R795	10K	RES-10K	✓
R796	10K	RES-10K	✓
R797	10K	RES-10K	✓
R798	10K	RES-10K	✓
R799	10K	RES-10K	✓
R800	10K	RES-10K	✓
R801	10K	RES-10K	✓
R802	10K	RES-10K	✓
R803	10K	RES-10K	✓
R804	10K	RES-10K	✓
R805	10K	RES-10K	✓
R806	10K	RES-10K	✓
R807	10K	RES-10K	✓
R808	10K	RES-10K	✓
R809	10K	RES-10K	✓
R810	10K	RES-10K	✓
R811	10K	RES-10K	✓
R812	10K	RES-10K	✓
R813	10K	RES-10K	✓
R814	10K	RES-10K	✓
R815	10K	RES-10K	✓
R816	10K	RES-10K	✓
R817	10K	RES-10K	✓
R818	10K	RES-10K	✓
R819	10K	RES-10K	✓
R820	10K	RES-10K	✓
R821	10K	RES-10K	✓
R822	10K	RES-10K	✓
R823	10K	RES-10K	✓
R824	10K	RES-10K	✓
R825	10K	RES-10K	✓
R826	10K	RES-10K	✓
R827	10K	RES-10K	✓
R828	10K	RES-10K	✓
R829	10K	RES-10K	✓
R830	10K	RES-10K	✓
R831	10K	RES-10K	✓
R832	10K	RES-10K	✓
R833	10K	RES-10K	✓
R834	10K	RES-10K	✓
R835	10K	RES-10K	✓
R836	10K	RES-10K	✓
R837	10K	RES-10K	✓
R838	10K	RES-10K	✓
R839	10K	RES-10K	✓
R840	10K	RES-10K	✓
R841	10K	RES-10K	✓
R842	10K	RES-10K	✓
R843	10K	RES-10K	✓
R844	10K	RES-10K	✓
R845	10K	RES-10K	✓
R846	10K	RES-10K	✓
R847	10K	RES-10K	✓
R848	10K	RES-10K	✓
R849	10K	RES-10K	✓
R850	10K	RES-10K	✓
R851	10K	RES-10K	✓
R852	10K	RES-10K	✓
R853	10K	RES-10K	✓
R854	10K	RES-10K	✓
R855	10K	RES-10K	✓
R856	10K	RES-10K	✓
R857	10K	RES-10K	✓
R858	10K	RES-10K	✓
R859	10K	RES-10K	✓
R860	10K	RES-10K	✓
R861	10K	RES-10K	✓
R862	10K	RES-10K	✓
R863	10K	RES-10K	✓
R864	10K	RES-10K	✓
R865	10K	RES-10K	✓
R866	10K	RES-10K	✓
R867	10K	RES-10K	✓
R868	10K	RES-10K	✓
R869	10K	RES-10K	✓
R870	10K	RES-10K	✓
R871	10K	RES-10K	✓
R872	10K	RES-10K	✓
R873	10K	RES-10K	✓
R874	10K	RES-10K	✓
R875	10K	RES-10K	✓
R876	10K	RES-10K	✓
R877	10K	RES-10K	✓
R878	10K	RES-10K	✓
R879	10K	RES-10K	✓
R880	10K	RES-10K	✓
R881	10K	RES-10K	✓
R882	10K	RES-10K	✓
R883	10K	RES-10K	✓
R884	10K	RES-10K	✓
R885	10K	RES-10K	✓
R886	10K	RES-10K	✓
R887	10K	RES-10K	✓
R888	10K	RES-10K	✓
R889	10K	RES-10K	✓
R890	10K	RES-10K	✓
R891	10K	RES-10K	✓
R892	10K	RES-10K	✓
R893	10K	RES-10K	✓
R894	10K	RES-10K	✓
R895	10K	RES-10K	✓
R896	10K	RES-10K	✓
R897	10K	RES-10K	✓
R898	10K	RES-10K	✓
R899	10K	RES-10K	✓
R900	10K	RES-10K	✓

NOTES:

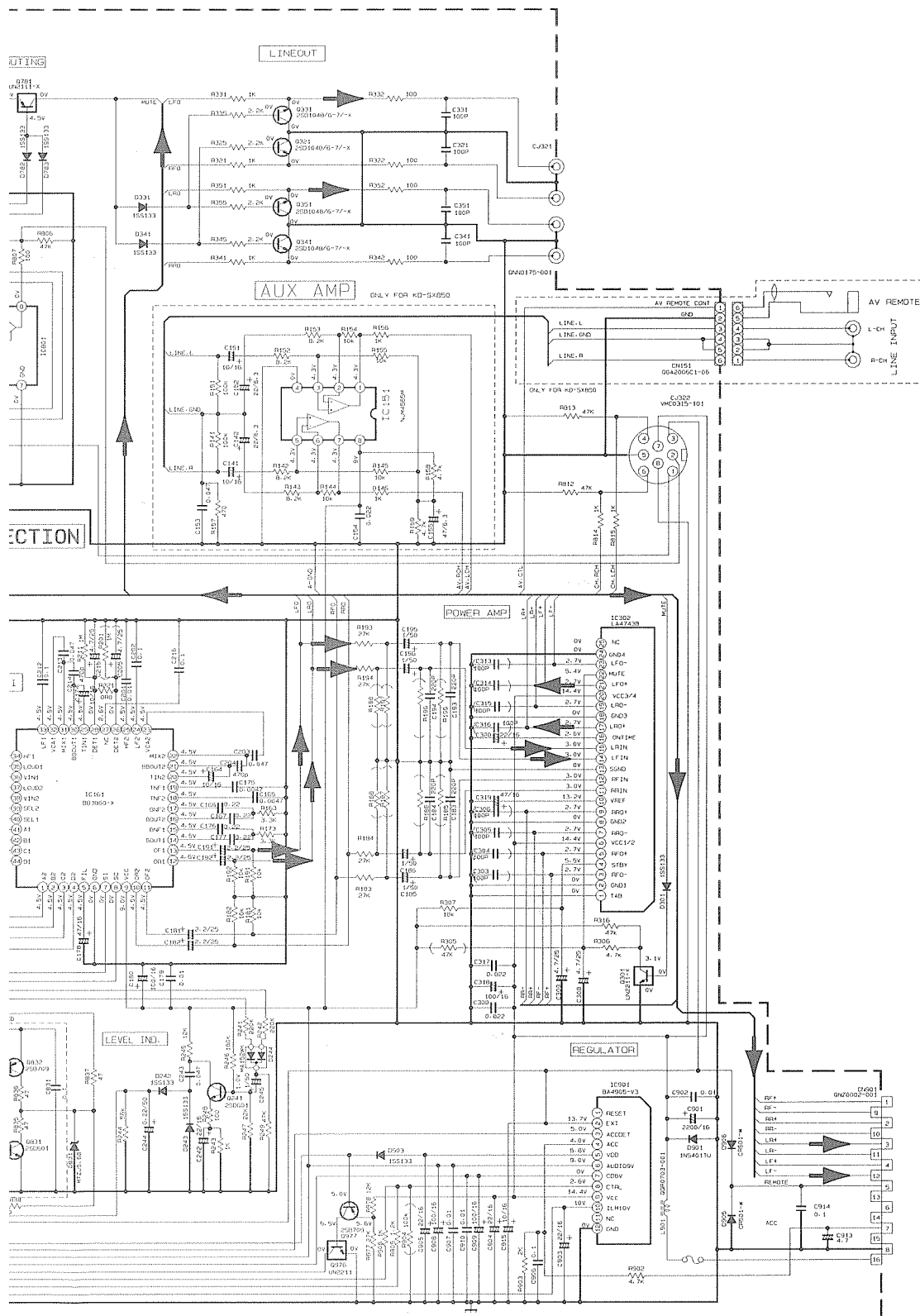
1. VOL. 1465. 24
 00401100. 2
 00001100. 2

A

B

C

D



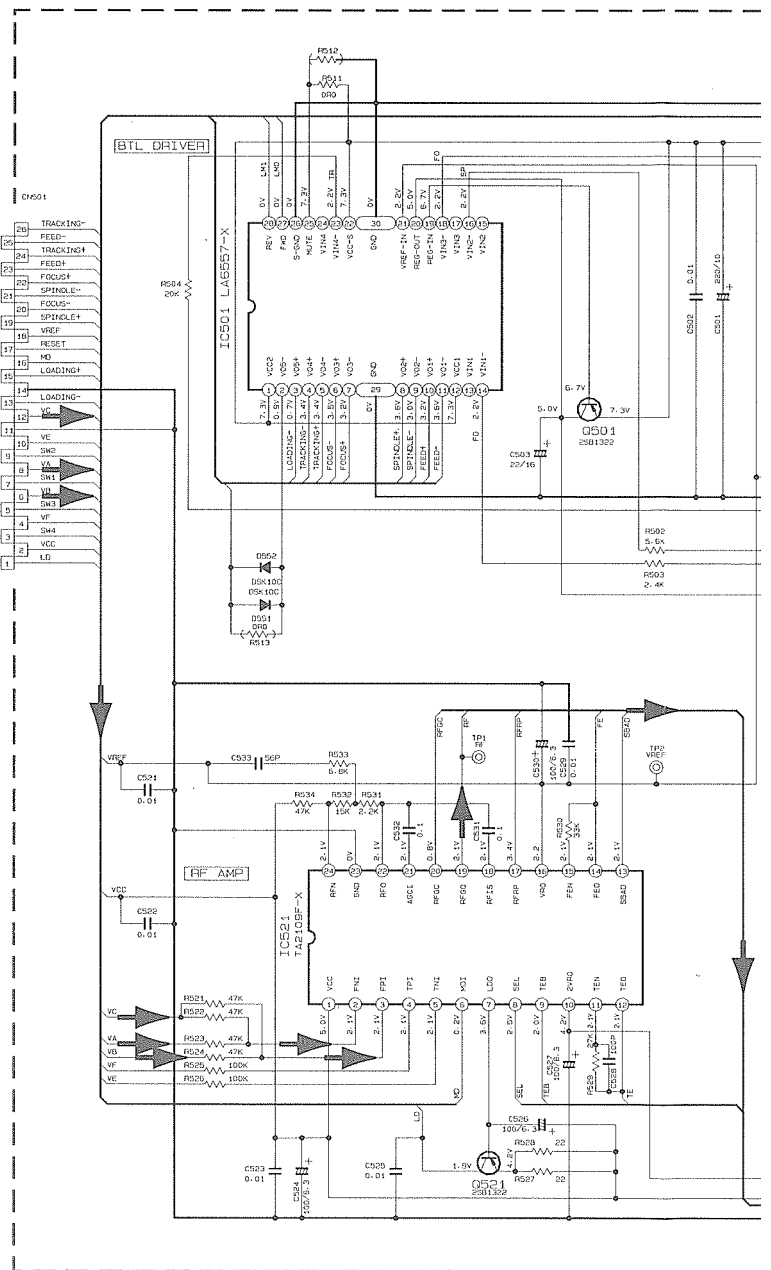
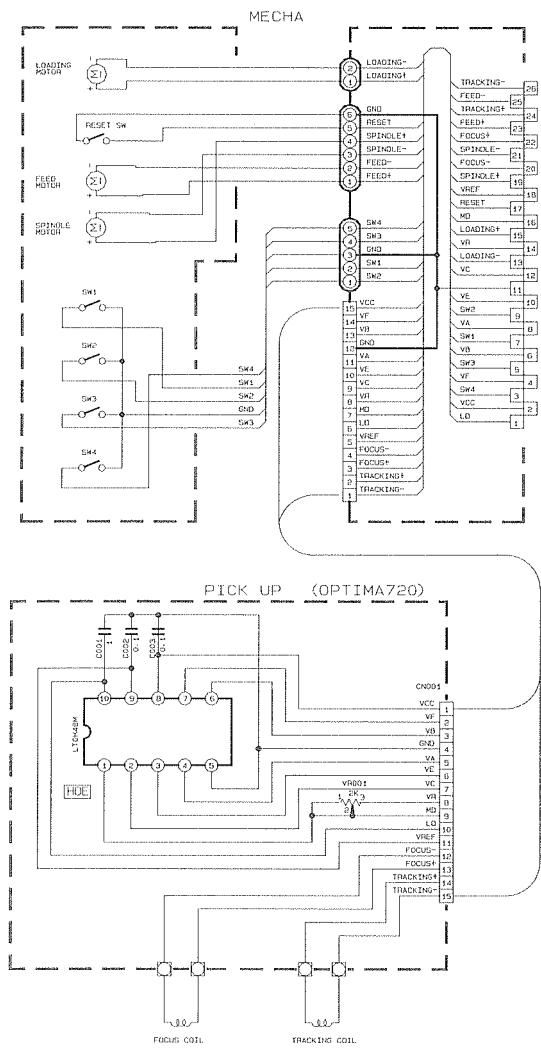
10K	R740	0.241
10K	R741	0.241
10K	R742	0.241
10K	R743	0.241
10K	R744	0.241
10K	R745	0.241
10K	R746	0.241
10K	R747	0.241
10K	R748	0.241
10K	R749	0.241
10K	R750	0.241
10K	R751	0.241
10K	R752	0.241
10K	R753	0.241
10K	R754	0.241
10K	R755	0.241
10K	R756	0.241
10K	R757	0.241
10K	R758	0.241
10K	R759	0.241
10K	R760	0.241
10K	R761	0.241
10K	R762	0.241
10K	R763	0.241
10K	R764	0.241
10K	R765	0.241
10K	R766	0.241
10K	R767	0.241
10K	R768	0.241
10K	R769	0.241
10K	R770	0.241
10K	R771	0.241
10K	R772	0.241
10K	R773	0.241
10K	R774	0.241
10K	R775	0.241
10K	R776	0.241
10K	R777	0.241
10K	R778	0.241
10K	R779	0.241
10K	R780	0.241
10K	R781	0.241
10K	R782	0.241
10K	R783	0.241
10K	R784	0.241
10K	R785	0.241
10K	R786	0.241
10K	R787	0.241
10K	R788	0.241
10K	R789	0.241
10K	R790	0.241
10K	R791	0.241
10K	R792	0.241
10K	R793	0.241
10K	R794	0.241
10K	R795	0.241
10K	R796	0.241
10K	R797	0.241
10K	R798	0.241
10K	R799	0.241
10K	R800	0.241

1. VOLTAGES ARE DC MEASURED AT IN & OUT TERMINALS. VOLT METER WITHOUT INPUT SIGNAL.
 CONDITIONS: --- FM (AM MODE)
 COMPONENTS: --- KD-SX850 SET 11 | KD-SX750 SET 11

➔ CD/MAIN SIGNAL
 - - - - - TUNER SIGNAL

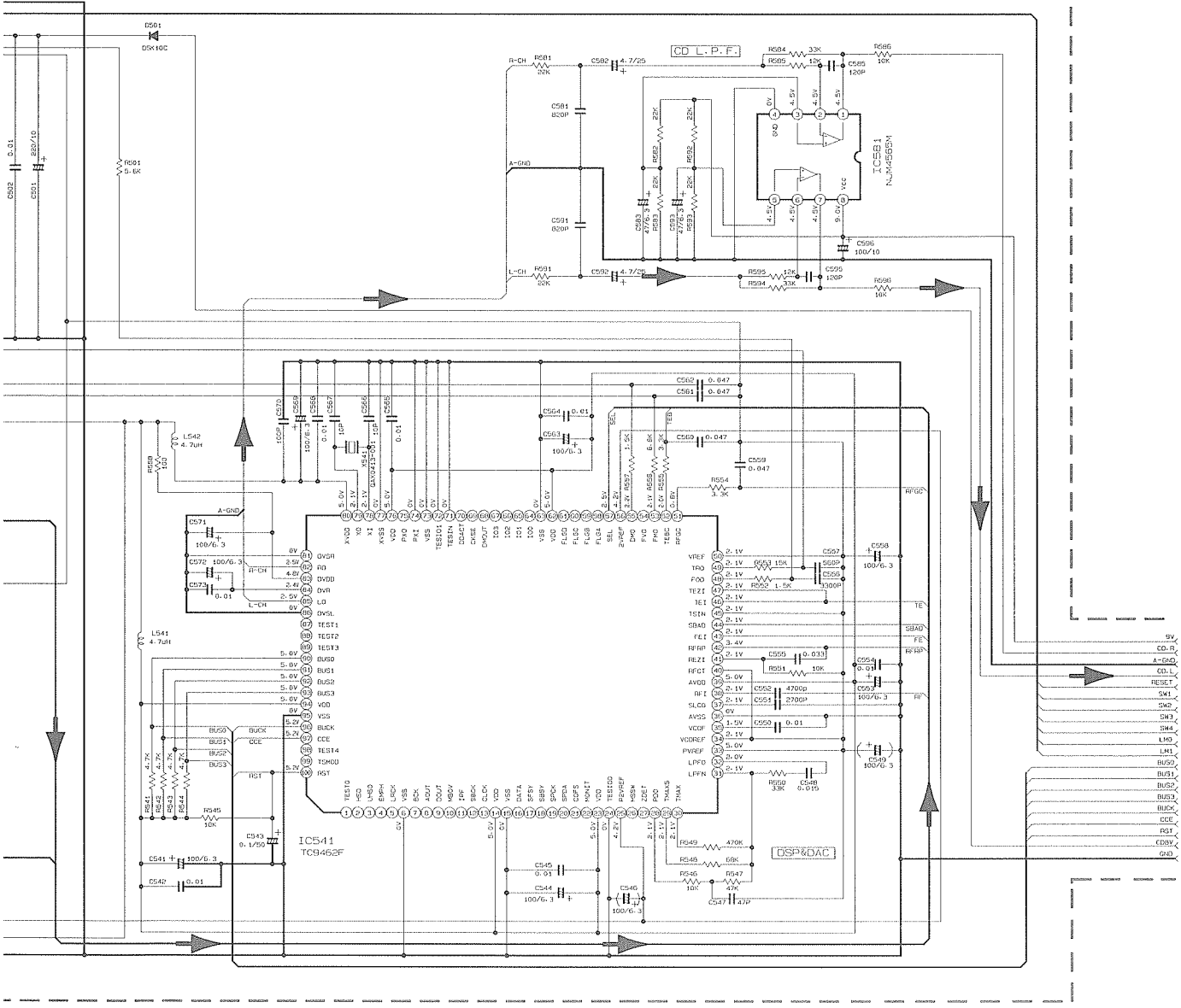
■ CD Servo control circuit

5
4
3
2
1



Note:s/C/jes/3106.002

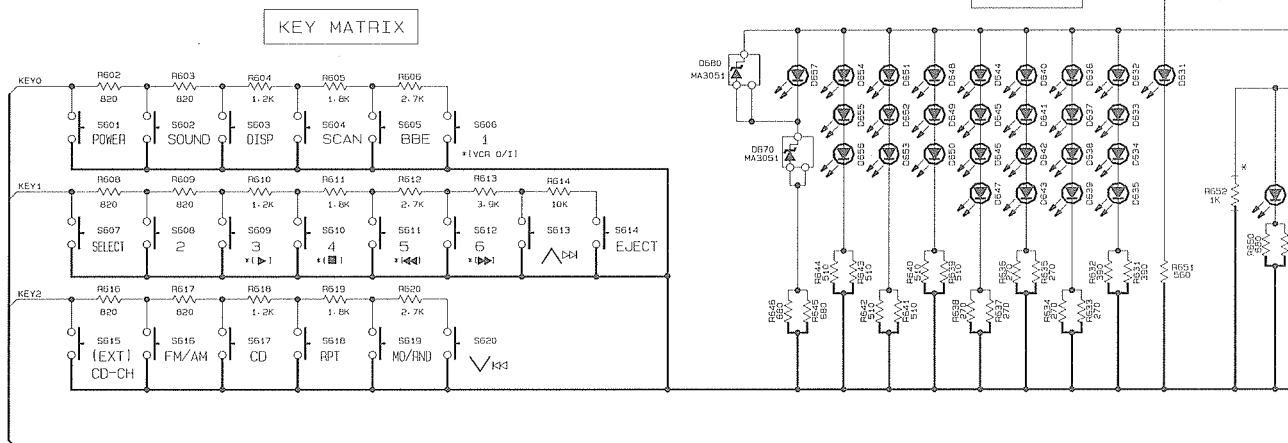
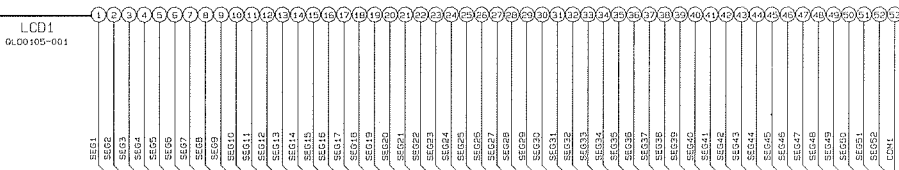
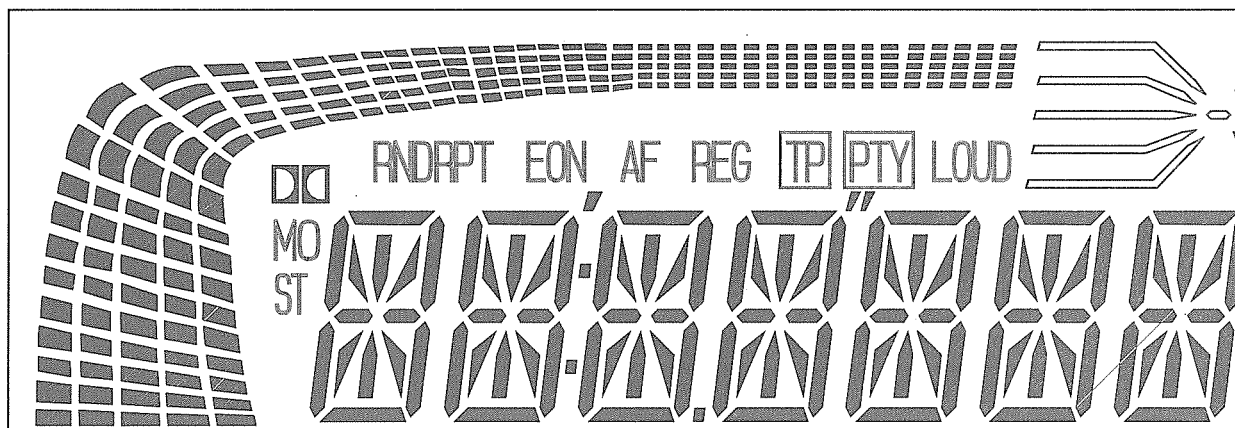
CD SECTION



➔ CD/MAIN SIGNAL

■ LCD Driver circuit

5
4
3
2
1

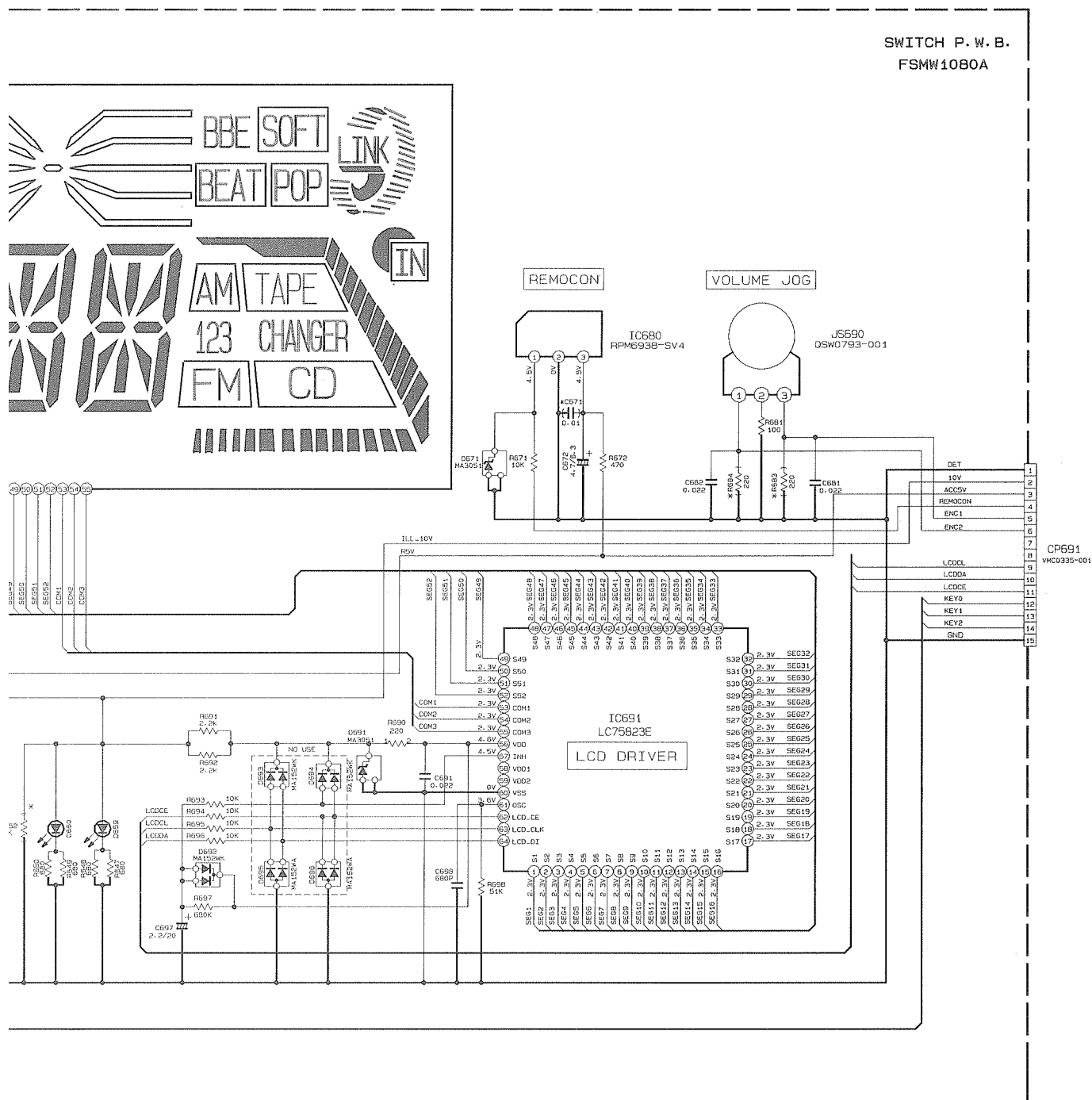


FOR KD-SX850 ONLY
 *()- FUNCTION KEY FOR VCR OPERATION

FRONT CIRCUIT BOARD SEC

Note:/s/C/es/3106.003

A | B | C | D

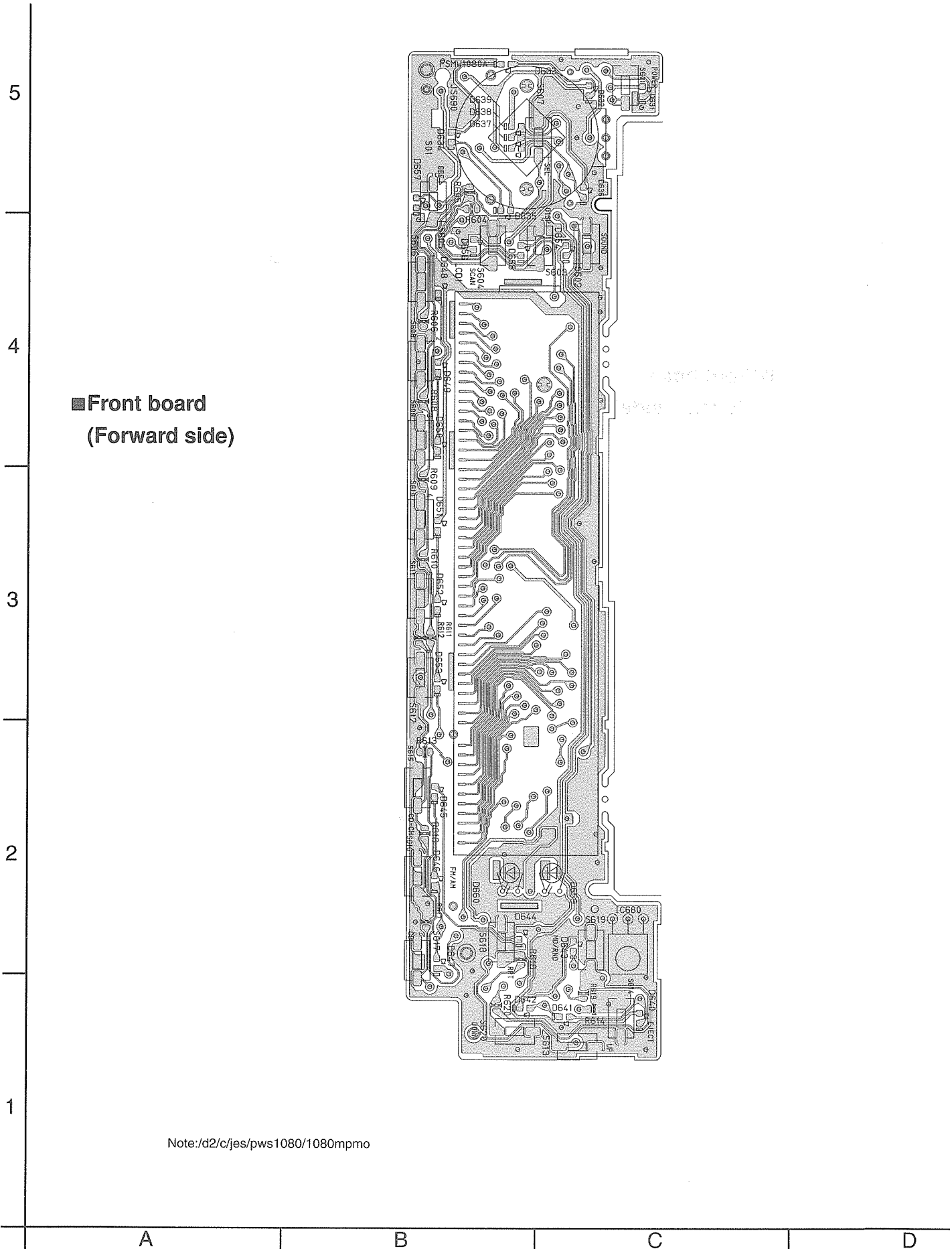


SECTION

REF. NO.	PART NO.
S601-S620	NSW0124-001X
D632-D656	LNJ308GB1/1-3/X
D657	CL-190UB-X-X
D660	NSPW310BS/BR5
LC01	QLD0105-001

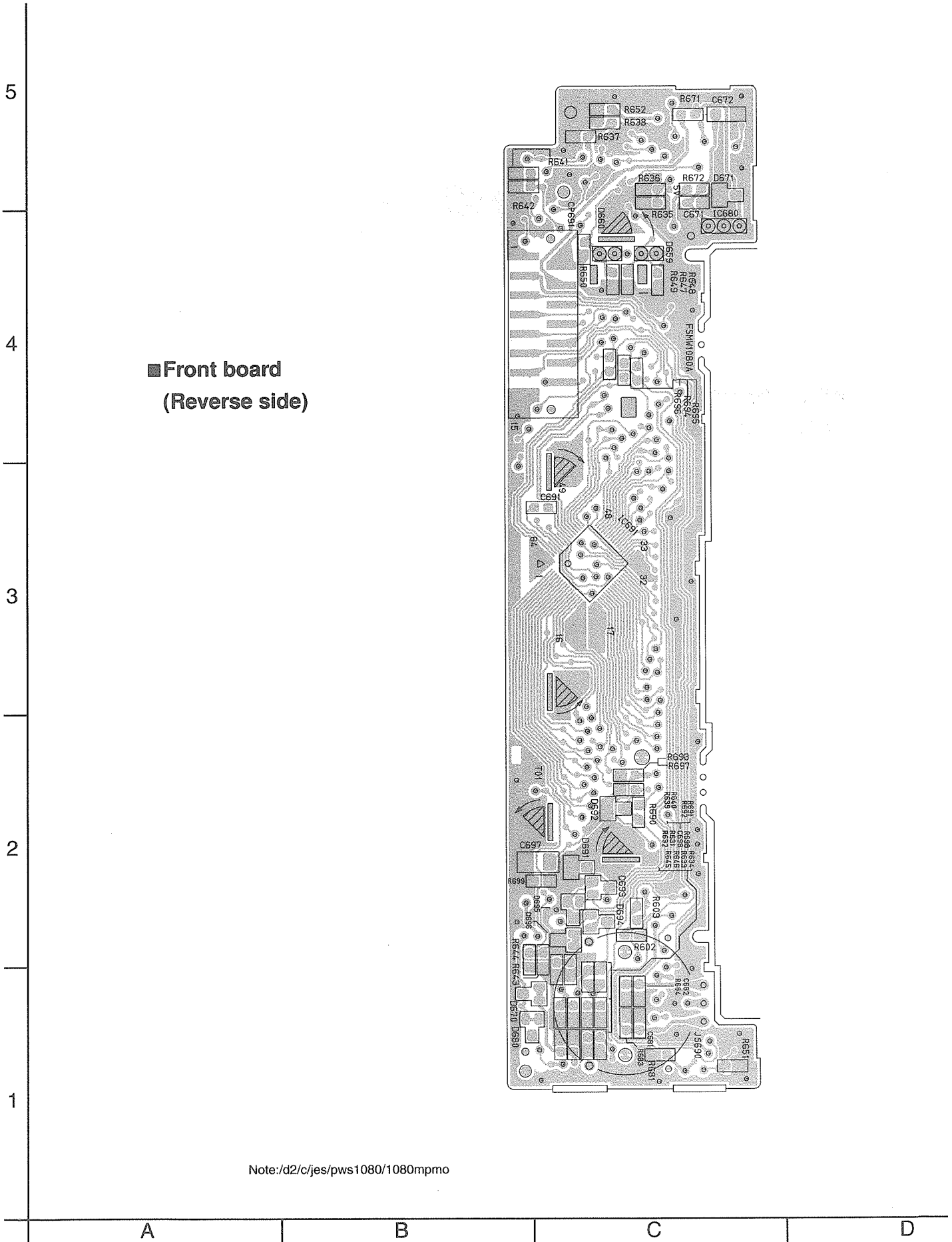
NOTES

- VOLTAGES ARE DC-MEASURED WITH A DIGITAL VOLT METER WITHOUT INPUT SIGNAL CONDITION---CD MODE.
- UNLESS OTHERWISE SPECIFIED, ALL RESISTORS ARE 1/10W +5% METAL GLAZE RESISTOR. ALL CAPACITORS ARE 50V OR 25V OR 16V CERAMIC CAPACITOR. ALL RESISTANCE VALUES ARE IN OHM. ALL CAPACITANCE VALUES ARE IN uF(P=pF). ALL E. CAPACITORS ARE SHOWN IN THE FORM OF CAPACITANCE(uF)/RATED VOLTAGE(V). T ---- T. S. E. CAPACITOR



■ Front board
(Forward side)

Note:/d2/c/jes/pws1080/1080mpmo



PARTS LIST

[KD-SX850]

[KD-SX750]

* All printed circuit boards and its assemblies are not available as service parts.

Area Suffix
J..... Northern America

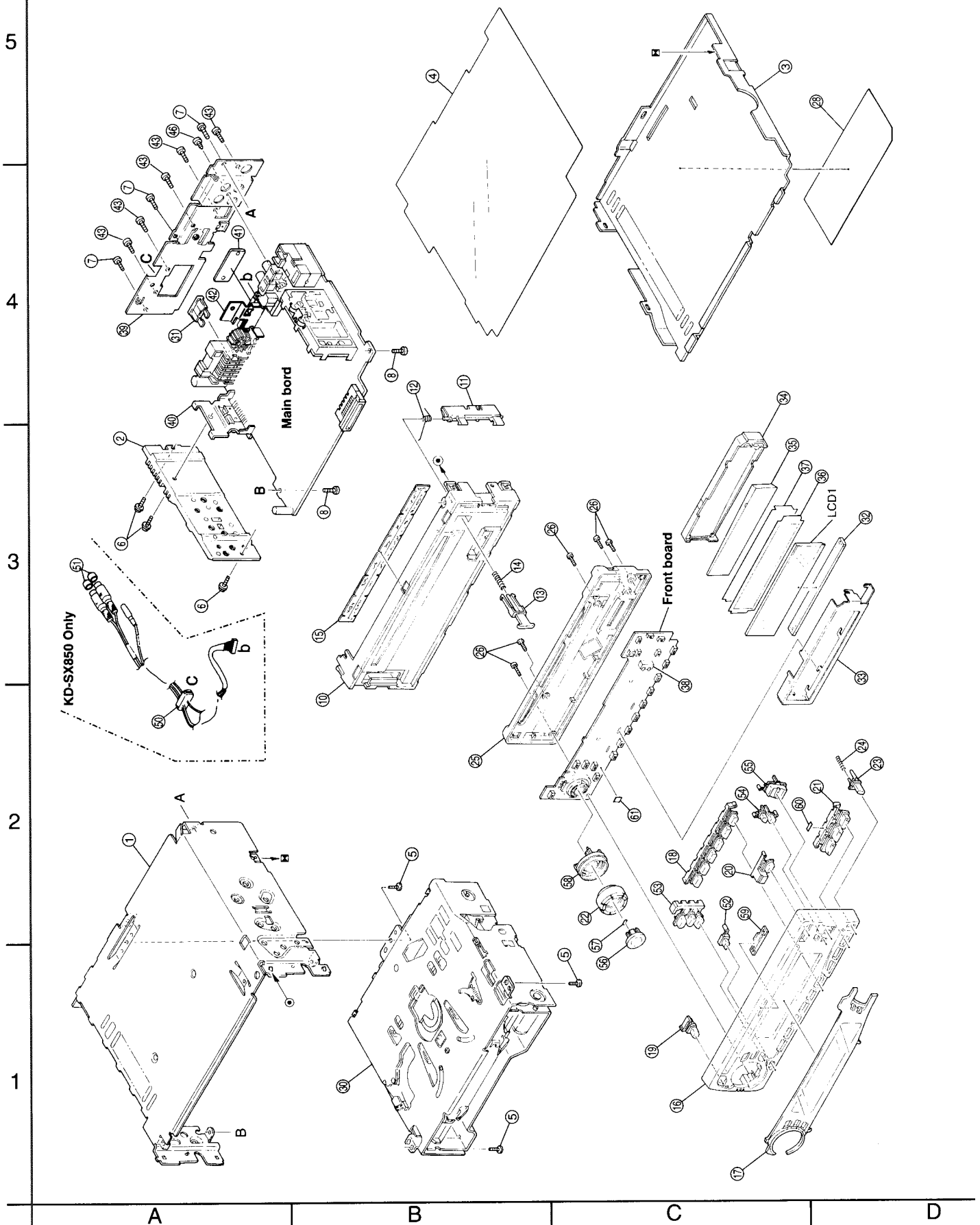
- Contents -

Exploded view of general assembly and parts list	3 - 2
CD mechanism assembly and parts list	3 - 4
Electrical parts list	3 - 7
Packing materials and accessories parts list	3 - 12

KD-SX850
KD-SX750

Exploded view of general assembly and parts list

Block: No. **M 1 M M**



■ Parts list (General assembly)

Block No. M1MM

△	Item	Parts number	Parts name	Q'ty	Description	Area
	1	FSJC1029-021	TOP CHASSIS	1		
	2	FSMH3001-003	SIDE PANEL	1	BLACK ANODISED	
	3	FSKM3011-002	BOTTOM COVER	1		
	4	FSMA3004-003	INSULATOR	1		
	5	QYSDST2604Z	SCREW	3	CHASSIS+MECHA B	
	6	FSKZ4005-00i	SCREW	3		
	7	QYSDST2606Z	SCREW	3	CHASSIS+REAR BK	
	8	QYSDST2606Z	SCREW	2	CHASSIS+MAIN PW	
	10	FSJC2013-002	FRONT CHASSIS	1		
	11	FSKS3010-001	LOCK LEVER	1		
	12	FSKW4005-003	TORSION SPRING	1	FOR LOCK LEVEL	
	13	FSXP3026-002	RLS KNOB	1		
	14	FSKW3002-015	COMP.SPRING	1		
	15	FSPK3009-001	BLIND	1		
	16	FSJC1048-001	FRONT PANEL	1		
	17	FSJD3019-01B	FINDER ASSY	1	KD-SX750	
		FSJD3019-01A	FINDER ASSY	1	KD-SX850	
	18	FSXP2045-002	PRESET BUTTON	1	1-6	
	19	FSXP3053-002	POWER BUTTON	1		
	20	FSXP3064-001	EJECT BUTTON	1		
	21	FSXP2038-002	D.FUNC ASSY	1	CD-CH.TUNER.CD	
	22	FSXK3003-005	VOL.KNOB	1	JOG DIAL	
	23	FSXP3063-001	DETACH BUTTON	1		
	24	FSKW3002-012	COMP. SPRING	1	FOR DETACH BUTT	
	25	FSJC1049-001	REAR COVER	1		
	26	VKZ4777-001	MINI SCREW	5	FRONT+REAR	
	28	FSYN3106-006	NAME PLATE	1	KD-SX850	
		FSYN3107-006	NAME PLATE	1	KD-SX750	
	30	-----	CD MECHA	1	TN-CCD1001Z	
	31	QMFZ021-150-J1	FUSE	1		
	32	QNZ0442-001	RUBBER CONNE	1		
	33	FSYH3020-001	LCD CASE	1		
	34	FSKS3019-001	LENS CASE	1		
	35	FSJK3025-001	LCD LENS	1		
	36	FSYH4074-001	LIGHTING SHEET	1		
	37	FSYH4079-001	LIGHTING SHEET	1		
	38	FSKS3016-002	LED HOLDER	1		
	39	FSKM3010-017	REAR BRACKET	1	KD-SX750	
		FSKM3010-018	REAR BRACKET	1	KD-SX850	
	40	FSKL4024-001	IC BRACKET	1		
	41	FSKL4014-002	HEAT SINK	1		
	42	FSKL4015-002	REG BRACKET	1		
	43	QYSDST2606Z	SCREW	5		
	46	QYSDSF3006Z	SCREW	1		
	50	QAM0231-001	PIN CABLE	1	KD-SX850	
	51	VYTA500-001	PIN CAP	2	KD-SX850	
	52	FSXP4006-002	SCM BUTTON	1	BBE	
	53	FSXP2041-002	PUSH BUTTON(L)	1	SCM.DISP.SCAN	
	54	FSXP3062-001	PUSH BUTTON(R)	1	MO/RND.RPT	
	55	FSXP2043-001	UP DOWN BUTTON	1	UP/DOWN	
	56	FSXP3061-001	SEL BUTTON	1		
	57	FSYH4036-032	SHEET	1	SEL BTN	
	58	FSJK3027-001	RIM LENS	1		
	59	FSJK3026-001	CD LENS	1		
	60	FSYH4036-053	SPACER	1		
	61	FSYH4036-052	SHEET	1		
	LCD 1	QLD0105-001	LCD MODULE	1		

KD-SX850
 KD-SX750

CD mechanism assembly and parts list

Grease

- ★ G-31SA
- ※ G-31SA(Bottom side)
- RX-405

Block: No. **M 2 M M**

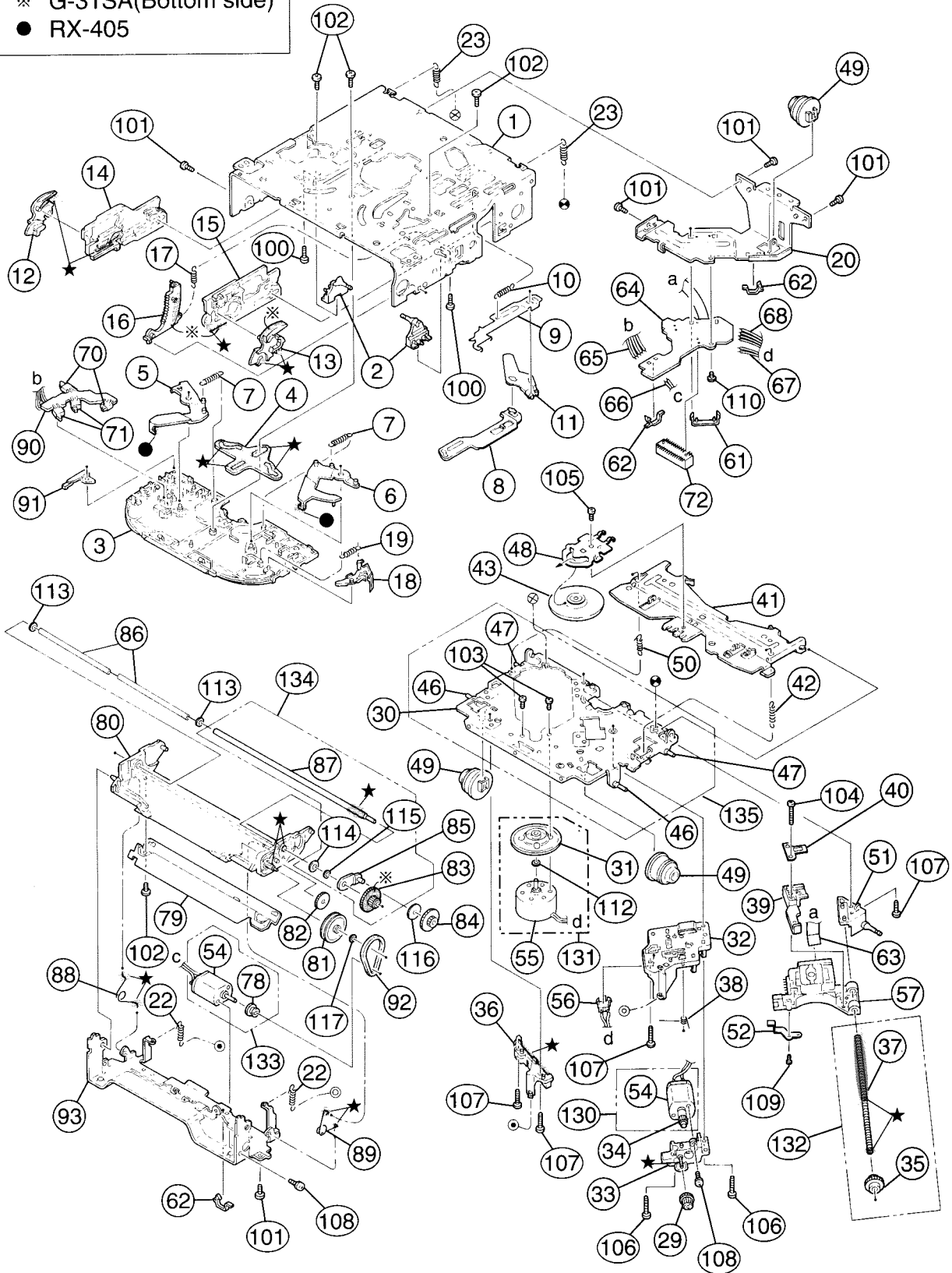
5

4

3

2

1



A

B

C

D

■Parts list (CD mechanism)

Block No. M2MM

△	Item	Parts number	Parts name	Q'ty	Description	Area
	1	30310101T	FRAME	1		
	2	30310103T	DANPER PIN	2		
	3	30310107T	UPPER PLATE	1		
	4	30310108T	SEL STOP PLATE	1		
	5	30310142T	SEL ARM (L)L	1		
	6	30310143T	SEL ARM (R)L	1		
	7	30310145T	S ARM SPRING(L)	2		
	8	30310112T	TRIG LEVER	1		
	9	30310155T	TRIG PL(Z)	1		
	10	30310115T	TRIG PL SPRING	1		
	11	30310116T	TRIG ARM	1		
	12	30310134T	FIX ARM (L)B	1		
	13	30310159T	FIX ARM (R)Z	1		
	14	30310150T	FIX PL (L)Z	1		
	15	30310156T	FIX PL (R) Z	1		
	16	30310138T	LDG GR (6)B	1		
	17	30310122T	LDG GEAR (6)SP	1		
	18	30310148T	S.L ARM(N)	1		
	19	30310125T	S.L ARM SPRING	1		
	20	30310149T	REAR DAM BKT(Z)	1		
	22	30310151T	HUNG UP SP (FZ)	2		
	23	30310129T	HUNG UP SP (R)	2		
	29	30300510T	PU GEAR(B)	1		
	30	-----	T.T.BASE(Z)	1		
	31	-----	TURN TABLE(Z)	1		
	32	30310544T	F.M.BASE(Z)	1		
	33	30310547T	FD GR BLK(Z)	1		
	34	-----	FD GR AZ	1		
	35	-----	FD GR CZ	1		
	36	30310546T	PU GUIDE(Z)	1		
	37	-----	FD SCREW(Z)	1		
	38	30310533T	THRUST SPR(M)	1		
	39	30310548T	PU M NUT(Z)	1		
	40	30310512T	NUT PUSH SPR PL	1		
	41	30310558T	CLP ARM(Z)	1		
	42	30310514T	CLP ARM SPRING	1		
	43	30310552T	CLAMPER(Z)	1		
	46	-----	LOCK PIN(FZ)	2		
	47	-----	LOCK PIN(RZ)	2		
	48	30310557T	CLAMPER PLATE(Z)	1		
	49	30310524T	DAMPER (J)	3		
	50	30310525T	CLP ARM SPR (L)	1		
	51	30310545T	F SCREW GUIDE(Z)	1		
	52	30310556T	PU G.SP PLT(Z)	1		
	54	-----	FEED MOTOR	2	FF030PK-09210	
	55	-----	SPINDLE MOTOR	1	RF300CA-11440D	
	56	64180405T	DET SW	1	ESE11SF4	
	57	OPTIMA-720L1	C.D PICK (CAR)	1		

KD-SX850
KD-SX750

■ Parts list (CD mechanism)

Block No. M2MM

△	Item	Parts number	Parts name	Q'ty	Description	Area
	61	30311035T	FPC HOLDER(Z)	1		
	62	19501403T	WIRE CLAMPER	3		
	63	30311037T	PICK UP FPC(Z)	1		
	64	30311036T	CONNECT.PCB(Z-J)	1		
	65	30311038T	WIRE (5P-Z)	1		
	66	30311039T	WIRE (LD-Z)	1		
	67	30311040T	WIRE (FD-Z)	1		
	68	30311041T	WIRE (RS-Z)	1		
	70	64180402T	DET SWITCH	2	ESE22MH1	
	71	64180403T	DET SWITCH	2	ESE22MH3	
	72	68150232T	CONNECTOR	1	TKC-W26X-C1	
	78	-----	LDG PULLEY	1		
	79	30311105T	SOPPORT PLATE	1		
	80	30311138T	GR MT BLK(N)	1		
	81	30311109T	LDG GEAR (2)	1		
	82	30311110T	LDG GEAR (3)	1		
	83	-----	LDG GEAR (4)	1		
	84	30311112T	LDG GEAR (5)	1		
	85	-----	LDG GR ARM	1		
	86	30311136T	LDG ROLLER	2		
	87	-----	LDG RLR SHAFT	1		
	88	30311118T	L.P SPRING (L)	1		
	89	30311119T	L.P SPRING (R)	1		
	90	30311123T	SW PCB	1		
	91	30311124T	SW ACTUATOR	1		
	92	30311129T	LDG BELT	1		
	93	30311140T	FRONT BRKT (J)	1		
	100	9C0620503T	C B TAP SCREW	2	M2X5	
	101	9C2020401T	C SCREW TS.G	5	M2X4	
	102	9C4320403T	C B TAP SCREW	4	M2X4	
	103	9C0117223T	SCREW	2	M1.7X2.2	
	104	9C4217703T	C TAP SCREW S3	1	M1.7X7	
	105	9C0320201T	C TAP SCREW S3	1	M2X2	
	106	9C4920013T	C TAP SCREW S3	2	M2X10	
	107	9C4920603T	C TAP SCREW B3	4	M2X6	
	108	9P0220031T	TAMS SCREW	2	M2X3	
	109	9C0314203T	C TAP SCREW	1	M1.4X2	
	110	9C0420253	C TAP SCREW	1	M2X2.5	
	112	-----	POLY WASHER	1	2.1X3.5X0.3	
	113	9W0330276	NW BLUE	2	2.9X5X0.3	
	114	-----	WAVE WASHER	1		
	115	-----	LUMILAR WASHER	1	2.5X6X0.1	
	116	9W0725030T	LUMILAR WASHER	1	2.3X9.8X0.25	
	117	9W0640030T	WASHER	1	1.4X3.2X0.4	
	130	303105310T	FEED MO ASSY	1	NO.34,54	
	131	303105311T	SPINDLE MO ASSY	1	NO.31,55,112	
	132	303105312T	FEED SCREW ASSY	1	NO.35,37	
	133	303111301T	LDG MOTOR ASSY	1	NO.54,78	
	134	303111302T	ROLLER SHAFT	1	NO.83,85,87	
		303111302T	ROLLER SHAFT	1	NO.114,115	
	135	303105502T	T.T.BASE ASSY	1	NO.30,46,47	

Electrical parts list

KD-SX850
KD-SX750

■ Main board

Block No. 01

△	Item	Parts number	Parts name	Remarks	Area
	C 1	QEK41CM-106	E CAPACITOR	10MF 20% 16V	
	C 2	QERF1HM-224Z	E CAPACITOR	.22MF 20% 50V	
	C 12	QERF1HM-104Z	E CAPACITOR	.10MF 20% 50V	
	C 14	NCB21EK-103X	C CAPACITOR		
	C 17	NCS21HJ-560X	C CAPACITOR		
	C 18	NCS21HJ-151X	C CAPACITOR		
	C 22	NCB21HK-223X	C CAPACITOR		
	C 24	QETB1CM-477	E CAPACITOR	470MF 20% 16V	
	C 31	QERF1HM-225Z	E CAPACITOR	2.2MF 20% 50V	
	C 32	NCB21HK-102X	C CAPACITOR		
	C 33	QER41AM-227	E CAPACITOR	220MF 20% 10V	
	C 35	NDC21HJ-470X	C CAPACITOR		
	C 41	NCB21EK-563X	C CAPACITOR		
	C 42	NCB21HK-123X	C CAPACITOR		
	C 81	QEKJ1HM-105Z	E CAPACITOR	1.0MF 20% 50V	
	C 82	QEKJ1HM-105Z	E CAPACITOR	1.0MF 20% 50V	
	C 83	NCB21HK-333X	C CAPACITOR		
	C 84	NCB21HK-333X	C CAPACITOR		
	C 141	QEK41CM-106	E CAPACITOR	KD-SX850	
	C 142	QERF0JM-226Z	E CAPACITOR	KD-SX850	
	C 147	QER41CM-106	E CAPACITOR	KD-SX850	
	C 151	QEK41CM-106	E CAPACITOR	KD-SX850	
	C 152	QERF0JM-226Z	E CAPACITOR	KD-SX850	
	C 153	NCB21EK-473X	C CAPACITOR	KD-SX850	
	C 154	NCB21EK-223X	C CAPACITOR	KD-SX850	
	C 155	QEKJ0JM-476Z	E CAPACITOR	KD-SX850	
	C 157	QER41CM-106	E CAPACITOR	KD-SX850	
	C 161	QER41CM-106	E CAPACITOR	10MF 20% 16V	
	C 162	NCS21HJ-471X	C CAPACITOR		
	C 163	NCB21EK-104X	C CAPACITOR		
	C 164	QER41CM-106	E CAPACITOR	10MF 20% 16V	
	C 165	NCB21HK-472X	C CAPACITOR		
	C 166	NCB21CK-224X	C CAPACITOR		
	C 167	NCB21CK-224X	C CAPACITOR		
	C 171	QER41CM-106	E CAPACITOR	10MF 20% 16V	
	C 172	NCS21HJ-471X	C CAPACITOR		
	C 173	NCB21EK-104X	C CAPACITOR		
	C 174	QER41CM-106	E CAPACITOR	10MF 20% 16V	
	C 175	NCB21HK-472X	C CAPACITOR		
	C 176	NCB21CK-224X	C CAPACITOR		
	C 177	NCB21CK-224X	C CAPACITOR		
	C 178	QEK41CM-476	E CAPACITOR	47MF 20% 16V	
	C 179	NCB21EK-103X	C CAPACITOR		
	C 180	QEKJ1CM-107Z	E CAPACITOR	100MF 20% 16V	
	C 181	QERF1HM-225Z	E CAPACITOR	2.2MF 20% 50V	
	C 182	QERF1HM-225Z	E CAPACITOR	2.2MF 20% 50V	
	C 191	QERF1HM-225Z	E CAPACITOR	2.2MF 20% 50V	
	C 192	QERF1HM-225Z	E CAPACITOR	2.2MF 20% 50V	
	C 201	NCB21EK-103X	C CAPACITOR		
	C 202	NCB21EK-104X	C CAPACITOR		
	C 203	NCB21HK-472X	C CAPACITOR		
	C 204	NCS21HJ-471X	C CAPACITOR		
	C 211	NCB21EK-103X	C CAPACITOR		
	C 212	NCB21EK-104X	C CAPACITOR		
	C 213	NCB21HK-472X	C CAPACITOR		
	C 214	NCS21HJ-471X	C CAPACITOR		
	C 215	QERF1EM-475Z	E CAPACITOR	4.7MF 20% 25V	
	C 216	NCB21EK-104X	C CAPACITOR		
	C 361	NCB21EK-104X	C CAPACITOR		
	C 362	NCB21EK-104X	C CAPACITOR		
	C 363	NCB21EK-104X	C CAPACITOR		
	C 364	NCB21EK-104X	C CAPACITOR		
	C 501	QER41AM-227	E CAPACITOR	220MF 20% 10V	

△	Item	Parts number	Parts name	Remarks	Area
	C 502	NCB21HK-103X	C CAPACITOR		
	C 503	QERF1CM-226Z	E CAPACITOR	22MF 20% 16V	
	C 510	NRSA02J-0R0X	MG RESISTOR		
	C 521	NCB21HK-103X	C CAPACITOR		
	C 522	NCB21HK-103X	C CAPACITOR		
	C 523	NCB21EK-103X	C CAPACITOR		
	C 524	QERF0JM-107Z	E CAPACITOR	100MF 20% 6.3V	
	C 525	NCB21HK-103X	C CAPACITOR		
	C 526	QERF0JM-107Z	E CAPACITOR	100MF 20% 6.3V	
	C 527	QERF0JM-107Z	E CAPACITOR	100MF 20% 6.3V	
	C 528	NCS21HJ-101X	C CAPACITOR		
	C 529	NCB21HK-103X	C CAPACITOR		
	C 530	QERF0JM-107Z	E CAPACITOR	100MF 20% 6.3V	
	C 531	NCB21HK-104X	C CAPACITOR		
	C 532	NCB21HK-104X	C CAPACITOR		
	C 533	NCS21HJ-560X	C CAPACITOR		
	C 541	QEKJ0JM-107Z	E CAPACITOR	100MF 20% 6.3V	
	C 542	NCB21HK-103X	C CAPACITOR		
	C 543	QEKJ1HM-104Z	E CAPACITOR	10MF 20% 50V	
	C 544	QEKJ0JM-107Z	E CAPACITOR	100MF 20% 6.3V	
	C 545	NCB21HK-103X	C CAPACITOR		
	C 547	NCS21HJ-470X	C CAPACITOR		
	C 548	NCB21HK-153X	C CAPACITOR		
	C 550	NCB21HK-103X	C CAPACITOR		
	C 551	NCB21HK-272X	C CAPACITOR		
	C 552	NCB21HK-472X	C CAPACITOR		
	C 553	QEKJ0JM-107Z	E CAPACITOR	100MF 20% 6.3V	
	C 554	NCB21HK-103X	C CAPACITOR		
	C 555	NCB21HK-333X	C CAPACITOR		
	C 556	NCB21HK-332X	C CAPACITOR		
	C 557	NCS21HJ-561X	C CAPACITOR		
	C 558	QEKJ0JM-107Z	E CAPACITOR	100MF 20% 6.3V	
	C 559	NCB21HK-473X	C CAPACITOR		
	C 560	NCB21HK-473X	C CAPACITOR		
	C 561	NCB21HK-473X	C CAPACITOR		
	C 562	NCB21HK-473X	C CAPACITOR		
	C 563	QEKJ0JM-107Z	E CAPACITOR	100MF 20% 6.3V	
	C 564	NCB21HK-103X	C CAPACITOR		
	C 565	NCB21HK-103X	C CAPACITOR		
	C 566	NCS21HJ-100X	C CAPACITOR		
	C 567	NCS21HJ-100X	C CAPACITOR		
	C 568	NCB21HK-103X	C CAPACITOR		
	C 569	QEKJ0JM-107Z	E CAPACITOR	100MF 20% 6.3V	
	C 570	NCS21HJ-101X	C CAPACITOR		
	C 571	QEKJ0JM-107Z	E CAPACITOR	100MF 20% 6.3V	
	C 572	QEKJ0JM-107Z	E CAPACITOR	100MF 20% 6.3V	
	C 573	NCB21HK-103X	C CAPACITOR		
	C 580	NCB21EK-103X	C CAPACITOR		
	C 581	NCS21HJ-821X	C CAPACITOR		
	C 582	QEK41EM-475	E CAPACITOR	4.7MF 20% 25V	
	C 583	QEKJ0JM-476Z	E CAPACITOR	47MF 20% 6.3V	
	C 585	NCS21HJ-121X	C CAPACITOR		
	C 587	QEK41CM-106	E CAPACITOR	10MF 20% 16V	
	C 591	NCS21HJ-821X	C CAPACITOR		
	C 592	QEK41EM-475	E CAPACITOR	4.7MF 20% 25V	
	C 593	QEKJ0JM-476Z	E CAPACITOR	47MF 20% 6.3V	
	C 595	NCS21HJ-121X	C CAPACITOR		
	C 596	QEKJ1AM-107Z	E CAPACITOR	100MF 20% 10V	
	C 597	QEK41CM-106	E CAPACITOR	10MF 20% 16V	
	C 701	QEKJ1AM-107Z	E CAPACITOR	100MF 20% 10V	
	C 702	NCB21EK-104X	C CAPACITOR		
	C 703	NCB21EK-104X	C CAPACITOR		
	C 704	NCB21EK-104X	C CAPACITOR		

KD-SX850
KD-SX750

■ Main board

Block No. 01

△	Item	Parts number	Parts name	Remarks	Area
	C 705	NCS21HJ-270X	C CAPACITOR		
	C 706	NCS21HJ-270X	C CAPACITOR		
	C 707	QER41AM-227	E CAPACITOR	220MF 20% 10V	
	C 708	NCB21EK-103X	C CAPACITOR		
	C 710	NCB21EK-104X	C CAPACITOR		
	C 781	QEKJ0JM-227Z	E CAPACITOR	220MF 20% 6.3V	
	C 801	NCB21EK-103X	C CAPACITOR		
	C 802	QER41CM-106	E CAPACITOR	10MF 20% 16V	
	C 803	QER41CM-106	E CAPACITOR	10MF 20% 16V	
	C 841	QEKJ1HM-104Z	E CAPACITOR	KD-SX850	
	C 901	QEZ0337-228	E CAPACITOR	2200MF	
	C 902	NCB21HK-103X	C CAPACITOR		
	C 903	QEKJ1CM-226Z	E CAPACITOR	22MF 20% 16V	
	C 904	QEKJ1CM-226Z	E CAPACITOR	22MF 20% 16V	
	C 905	QEKJ1CM-226Z	E CAPACITOR	22MF 20% 16V	
	C 906	NCB21EK-104X	C CAPACITOR		
	C 907	NCB21HK-103X	C CAPACITOR		
	C 908	QEKJ1CM-107Z	E CAPACITOR	100MF 20% 16V	
	C 909	QEKJ1CM-107Z	E CAPACITOR	100MF 20% 16V	
	C 910	NCB21HK-103X	C CAPACITOR		
	C 911	QEKJ0JM-227Z	E CAPACITOR	220MF 20% 6.3V	
	C 912	QERF1EM-475Z	E CAPACITOR	4.7MF 20% 25V	
	C 913	QEQ61EM-475Z	NP E CAPACITOR	4.7MF 20% 25V	
	C 914	NCB21HK-104X	C CAPACITOR		
	C 915	QER41CM-106	E CAPACITOR	10MF 20% 16V	
	CJ 1	QNZ0009-001	CAR ANT JACK		
	CJ321	QNN0175-001	PIN JACK		
	CJ322	QNZ0095-001	CONNECTOR		
	CJ691	VMC0344-001	CONNECTOR		
	CN151	QGA2006C1-06	CONNECTOR	KD-SX850	
	CN501	QGB2027M1-26S	CONNECTOR		
	CN501	QGB2027M1-26S	CONNECTOR		
	CN901	QNZ0002-001	CONNECTOR		
	D 1	1SS133-T1	SI DIODE 1/M		
	D 2	1SS133-T1	SI DIODE 1/M		
	D 21	MA152WK-X	SI DIODE		
	D 31	MA3100/M-X	ZENER DIODE		
	D 501	DSK10C-T1	DIODE		
	D 551	DSK10C-T1	DIODE		
	D 552	DSK10C-T1	DIODE		
	D 781	MA3047/M-X	ZENER DIODE		
	D 782	1SS133-T1	SI DIODE 1/M		
	D 783	1SS133-T1	SI DIODE 1/M		
	D 785	MA152WK-X	SI DIODE		
	D 901	1N5401-TU-15	DIODE		
	D 903	1SS133-T1	SI DIODE 1/M		
	D 905	CRS01-W	SB DIODE		
	D 906	CRS01-W	SB DIODE		
	IC151	NJM4565M-WE	IC	KD-SX850	
	IC161	BD3860K	IC		
	IC501	LA6557-X	IC		
	IC521	TA2109F-X	IC		
	IC541	TC9462F	IC		
	IC581	NJM4565M-WE	IC		
	IC701	UPD178076GF-520	IC		
	IC801	HD74HC126FP-X	IC		
	IC901	BA4905-V3	IC		
	L 1	QQL244J-330Z	INDUCTOR		
	L 541	QQL244J-4R7Z	INDUCTOR		
	L 542	QQL244J-4R7Z	INDUCTOR		
	L 701	QQL244J-4R7Z	INDUCTOR		
	L 702	QQL244J-4R7Z	INDUCTOR		
	L 901	QQR0703-001	CHOKE COIL		

△	Item	Parts number	Parts name	Remarks	Area
	Q 1	UN2211-X	TRANSISTOR		
	Q 21	2SB1197K/QR/-X	TRANSISTOR		
	Q 22	2SB709A/R/-X	TRANSISTOR		
	Q 23	UN2211-X	TRANSISTOR		
	Q 31	2SD601A/R/-X	TRANSISTOR		
	Q 32	2SD601A/R/-X	TRANSISTOR		
	Q 41	2SC3661-X	TRANSISTOR		
	Q 42	2SC3661-X	TRANSISTOR		
	Q 501	2SB1322/RS/-T	TRANSISTOR		
	Q 521	2SB1322/RS/-T	TRANSISTOR		
	Q 781	UN2111-X	TRANSISTOR		
	Q 841	UN2211-X	TRANSISTOR	KD-SX850	
	Q 976	UN2211-X	TRANSISTOR		
	Q 977	2SB709A/R/-X	TRANSISTOR		
	R 1	NRSA02J-102X	MG RESISTOR		
	R 2	NRSA02J-0R0X	MG RESISTOR		
	R 3	NRSA02J-102X	MG RESISTOR		
	R 5	NRSA02J-103X	MG RESISTOR		
	R 8	NRSA02J-103X	MG RESISTOR		
	R 9	NRSA02J-223X	MG RESISTOR		
	R 21	NRSA02J-103X	MG RESISTOR		
	R 22	NRSA02J-102X	MG RESISTOR		
	R 23	NRSA02J-103X	MG RESISTOR		
	R 24	NRSA02J-222X	MG RESISTOR		
	R 25	NRSA02J-150X	MG RESISTOR		
	R 26	NRSA02J-150X	MG RESISTOR		
	R 27	NRSA02J-100X	MG RESISTOR		
	R 31	NRSA02J-152X	MG RESISTOR		
	R 32	NRSA02J-102X	MG RESISTOR		
	R 33	NRSA02J-103X	MG RESISTOR		
	R 34	NRSA02J-471X	MG RESISTOR		
	R 41	NRSA02J-102X	MG RESISTOR		
	R 42	NRSA02J-392X	MG RESISTOR		
	R 43	NRSA02J-102X	MG RESISTOR		
	R 81	NRSA02J-272X	MG RESISTOR		
	R 82	NRSA02J-272X	MG RESISTOR		
	R 83	NRSA02J-332X	MG RESISTOR		
	R 84	NRSA02J-332X	MG RESISTOR		
	R 141	NRSA02J-104X	MG RESISTOR	KD-SX850	
	R 142	NRSA02J-822X	MG RESISTOR	KD-SX850	
	R 143	NRSA02J-822X	MG RESISTOR	KD-SX850	
	R 144	NRSA02J-103X	MG RESISTOR	KD-SX850	
	R 145	NRSA02J-103X	MG RESISTOR	KD-SX850	
	R 146	NRSA02J-102X	MG RESISTOR	KD-SX850	
	R 151	NRSA02J-104X	MG RESISTOR	KD-SX850	
	R 152	NRSA02J-822X	MG RESISTOR	KD-SX850	
	R 153	NRSA02J-822X	MG RESISTOR	KD-SX850	
	R 154	NRSA02J-103X	MG RESISTOR	KD-SX850	
	R 155	NRSA02J-103X	MG RESISTOR	KD-SX850	
	R 156	NRSA02J-102X	MG RESISTOR	KD-SX850	
	R 157	NRSA02J-471X	MG RESISTOR	KD-SX850	
	R 158	NRSA02J-472X	MG RESISTOR	KD-SX850	
	R 159	NRSA02J-472X	MG RESISTOR	KD-SX850	
	R 161	NRSA02J-204X	MG RESISTOR		
	R 162	NRSA02J-682X	MG RESISTOR		
	R 163	NRSA02J-332X	MG RESISTOR		
	R 171	NRSA02J-204X	MG RESISTOR		
	R 172	NRSA02J-682X	MG RESISTOR		
	R 173	NRSA02J-332X	MG RESISTOR		
	R 175	NRSA02J-222X	MG RESISTOR		
	R 176	NRSA02J-222X	MG RESISTOR		
	R 181	NRSA02J-103X	MG RESISTOR		
	R 182	NRSA02J-103X	MG RESISTOR		

■ Main board

Block No. 01

△	Item	Parts number	Parts name	Remarks	Area
	R 191	NRSA02J-103X	MG RESISTOR		
	R 192	NRSA02J-103X	MG RESISTOR		
	R 211	NRSA02J-105X	MG RESISTOR		
	R 221	NRSA02J-0R0X	MG RESISTOR		
	R 308	NRSA02J-102X	MG RESISTOR		
	R 501	NRSA02J-822X	MG RESISTOR		
	R 502	NRSA02J-562X	MG RESISTOR		
	R 503	NRSA02J-242X	MG RESISTOR		
	R 504	NRSA02J-203X	MG RESISTOR		
	R 511	NRSA02J-0R0X	MG RESISTOR		
	R 521	NRSA02J-473X	MG RESISTOR		
	R 522	NRSA02J-473X	MG RESISTOR		
	R 523	NRSA02J-473X	MG RESISTOR		
	R 524	NRSA02J-473X	MG RESISTOR		
	R 525	NRSA02J-104X	MG RESISTOR		
	R 526	NRSA02J-104X	MG RESISTOR		
	R 527	NRSA02J-220X	MG RESISTOR		
	R 528	NRSA02J-220X	MG RESISTOR		
	R 529	NRSA02J-273X	MG RESISTOR		
	R 530	NRSA02J-473X	MG RESISTOR		
	R 531	NRSA02J-222X	MG RESISTOR		
	R 532	NRSA02J-153X	MG RESISTOR		
	R 533	NRSA02J-682X	MG RESISTOR		
	R 534	NRSA02J-473X	MG RESISTOR		
	R 541	NRSA02J-472X	MG RESISTOR		
	R 542	NRSA02J-472X	MG RESISTOR		
	R 543	NRSA02J-472X	MG RESISTOR		
	R 544	NRSA02J-472X	MG RESISTOR		
	R 545	NRSA02J-103X	MG RESISTOR		
	R 546	NRSA02J-103X	MG RESISTOR		
	R 547	NRSA02J-473X	MG RESISTOR		
	R 548	NRSA02J-683X	MG RESISTOR		
	R 549	NRSA02J-474X	MG RESISTOR		
	R 550	NRSA02J-333X	MG RESISTOR		
	R 551	NRS181J-103X	MG RESISTOR		
	R 552	NRSA02J-152X	MG RESISTOR		
	R 553	NRSA02J-153X	MG RESISTOR		
	R 554	NRSA02J-332X	MG RESISTOR		
	R 555	NRSA02J-332X	MG RESISTOR		
	R 556	NRSA02J-682X	MG RESISTOR		
	R 557	NRSA02J-152X	MG RESISTOR		
	R 558	NRS181J-101X	MG RESISTOR		
	R 581	NRSA02J-223X	MG RESISTOR		
	R 582	NRSA02J-223X	MG RESISTOR		
	R 583	NRSA02J-223X	MG RESISTOR		
	R 584	NRSA02J-333X	MG RESISTOR		
	R 585	NRSA02J-123X	MG RESISTOR		
	R 586	NRSA02J-103X	MG RESISTOR		
	R 591	NRSA02J-223X	MG RESISTOR		
	R 592	NRSA02J-223X	MG RESISTOR		
	R 593	NRSA02J-223X	MG RESISTOR		
	R 594	NRSA02J-333X	MG RESISTOR		
	R 595	NRSA02J-123X	MG RESISTOR		
	R 596	NRSA02J-103X	MG RESISTOR		
	R 685	NRSA02J-473X	MG RESISTOR		
	R 686	NRSA02J-473X	MG RESISTOR		
	R 701	NRSA02J-472X	MG RESISTOR		
	R 702	NRSA02J-472X	MG RESISTOR		
	R 703	NRSA02J-472X	MG RESISTOR		
	R 704	NRSA02J-473X	MG RESISTOR		
	R 705	NRSA02J-0R0X	MG RESISTOR		
	R 706	NRSA02J-222X	MG RESISTOR		
	R 707	NRSA02J-222X	MG RESISTOR		

△	Item	Parts number	Parts name	Remarks	Area
	R 708	NRSA02J-0R0X	MG RESISTOR		
	R 709	NRSA02J-222X	MG RESISTOR		
	R 710	NRSA02J-473X	MG RESISTOR		
	R 711	NRSA02J-473X	MG RESISTOR		
	R 712	NRSA02J-473X	MG RESISTOR		
	R 713	NRSA02J-473X	MG RESISTOR		
	R 714	NRSA02J-103X	MG RESISTOR		
	R 715	NRSA02J-103X	MG RESISTOR		
	R 716	NRSA02J-103X	MG RESISTOR		
	R 717	NRSA02J-103X	MG RESISTOR		
	R 718	NRSA02J-472X	MG RESISTOR		
	R 719	NRSA02J-103X	MG RESISTOR		
	R 720	NRSA02J-472X	MG RESISTOR		
	R 721	NRSA02J-103X	MG RESISTOR		
	R 722	NRSA02J-472X	MG RESISTOR		
	R 723	NRSA02J-473X	MG RESISTOR		
	R 724	NRSA02J-473X	MG RESISTOR		
	R 725	NRSA02J-473X	MG RESISTOR		
	R 726	NRSA02J-391X	MG RESISTOR		
	R 727	NRSA02J-0R0X	MG RESISTOR		
	R 728	NRSA02J-473X	MG RESISTOR		
	R 729	NRSA02J-473X	MG RESISTOR		
	R 731	NRSA02J-473X	MG RESISTOR		
	R 732	NRS181J-103X	MG RESISTOR		
	R 733	NRSA02J-473X	MG RESISTOR		
	R 734	NRSA02J-104X	MG RESISTOR		
	R 735	NRSA02J-103X	MG RESISTOR		
	R 737	NRSA02J-473X	MG RESISTOR		
	R 740	NRSA02J-473X	MG RESISTOR		
	R 741	NRSA02J-473X	MG RESISTOR		
	R 743	NRSA02J-473X	MG RESISTOR		
	R 744	NRSA02J-222X	MG RESISTOR		
	R 745	NRSA02J-222X	MG RESISTOR		
	R 746	NRSA02J-103X	MG RESISTOR		
	R 748	NRSA02J-103X	MG RESISTOR		
	R 749	NRSA02J-0R0X	MG RESISTOR		
	R 750	NRSA02J-473X	MG RESISTOR		
	R 781	NRSA02J-152X	MG RESISTOR		
	R 782	NRSA02J-471X	MG RESISTOR		
	R 783	NRSA02J-152X	MG RESISTOR		
	R 801	NRSA02J-104X	MG RESISTOR		
	R 802	NRSA02J-104X	MG RESISTOR		
	R 803	NRSA02J-0R0X	MG RESISTOR		
	R 804	NRSA02J-101X	MG RESISTOR		
	R 805	NRSA02J-473X	MG RESISTOR		
	R 806	NRSA02J-473X	MG RESISTOR		
	R 807	NRSA02J-101X	MG RESISTOR		
	R 808	NRSA02J-223X	MG RESISTOR		
	R 809	NRSA02J-331X	MG RESISTOR		
	R 810	NRSA02J-103X	MG RESISTOR		
	R 811	NRSA02J-104X	MG RESISTOR		
	R 812	NRSA02J-473X	MG RESISTOR		
	R 813	NRSA02J-473X	MG RESISTOR		
	R 814	NRSA02J-102X	MG RESISTOR		
	R 815	NRSA02J-102X	MG RESISTOR		
	R 841	NRSA02J-222X	MG RESISTOR		
	R 842	NRSA02J-102X	MG RESISTOR		
	R 902	QRZ0125-472X	C RESISTOR		
	R 903	NRSA02J-202X	MG RESISTOR		
	R 905	NRSA02J-122X	MG RESISTOR		
	R 906	NRSA02J-102X	MG RESISTOR		
	R 976	NRSA02J-104X	MG RESISTOR		
	R 977	NRSA02J-273X	MG RESISTOR		
	R 978	NRSA02J-123X	MG RESISTOR		
	TU 1	QAU0154-001	TUNER		
	X 541	QAX0413-001Z	CRYSTAL		
	X 701	QAX0406-001Z	CRYSTAL		

KD-SX850
KD-SX750

KD-SX850
KD-SX850
4.7K 1/1W

KD-SX850
KD-SX750

■ Front board

Block No. 02

Item	Parts number	Parts name	Remarks	Area
C 183	NCS21HJ-221X	C CAPACITOR		
C 184	NCS21HJ-221X	C CAPACITOR		
C 185	QER41HM-105	E CAPACITOR	1.0MF 20% 50V	
C 186	QER41HM-105	E CAPACITOR	1.0MF 20% 50V	
C 193	NCS21HJ-221X	C CAPACITOR		
C 194	NCS21HJ-221X	C CAPACITOR		
C 195	QER41HM-105	E CAPACITOR	1.0MF 20% 50V	
C 196	QER41HM-105	E CAPACITOR	1.0MF 20% 50V	
C 242	QEKJ1CM-226Z	E CAPACITOR	22MF 20% 16V	
C 243	NCB21EK-473X	C CAPACITOR		
C 244	QERF1HM-224Z	E CAPACITOR	.22MF 20% 50V	
C 245	QER41HM-105	E CAPACITOR	1.0MF 20% 50V	
C 300	NCB21HK-223X	C CAPACITOR		
C 308	QERF1EM-475Z	E CAPACITOR	4.7MF 20% 25V	
C 309	QERF1EM-475Z	E CAPACITOR	4.7MF 20% 25V	
C 317	NCB21HK-223X	C CAPACITOR		
C 318	QEKJ1CM-107Z	E CAPACITOR	100MF 20% 16V	
C 319	QEK41CM-476	E CAPACITOR	47MF 20% 16V	
C 320	QEKJ1CM-226Z	E CAPACITOR	22MF 20% 16V	
C 321	NDC21HJ-101X	C CAPACITOR		
C 331	NDC21HJ-101X	C CAPACITOR		
C 333	NCB21EK-473X	C CAPACITOR		
C 341	NDC21HJ-101X	C CAPACITOR		
C 351	NDC21HJ-101X	C CAPACITOR		
C 672	NBE20JM-475X	TS E CAPACITOR		
C 681	NCB21HK-223X	C CAPACITOR		
C 682	NCB21HK-223X	C CAPACITOR		
C 691	NCB21HK-223X	C CAPACITOR		
C 697	NBE41DM-225X	TS E CAPACITOR		
C 698	NCS21HJ-681X	C CAPACITOR		
C 832	NCB21HK-472X	C CAPACITOR	KD-SX850	
CP691	VMC0335-001	CONNECTOR		
D 242	1SS133-T1	SI DIODE I/M		
D 243	1SS133-T1	SI DIODE I/M		
D 244	MA152WK-X	SI DIODE		
D 301	1SS133-T1	SI DIODE		
D 331	1SS133-T1	SI DIODE I/M		
D 341	1SS133-T1	SI DIODE I/M		
D 631	SML-310LT/MN/-X	LED	POWER LED	
D 632	LNJ308G81/1-3/X	LED	R.ENC LED1	
D 633	LNJ308G81/1-3/X	LED	R.ENC LED2	
D 634	LNJ308G81/1-3/X	LED	R.ENC LED3	
D 635	LNJ308G81/1-3/X	LED	R.ENC LED4	
D 636	LNJ308G81/1-3/X	LED	R.ENC LED5	
D 637	LNJ308G81/1-3/X	LED	SEL LED1	
D 638	LNJ308G81/1-3/X	LED	SEL LED2	
D 639	LNJ308G81/1-3/X	LED	SEL LED3	
D 640	LNJ308G81/1-3/X	LED	EJECT LED	
D 641	LNJ308G81/1-3/X	LED	F.SKIP/UP LED	
D 642	LNJ308G81/1-3/X	LED	B.SKIP/DOWN LED	
D 643	LNJ308G81/1-3/X	LED	MO/RND LED	
D 644	LNJ308G81/1-3/X	LED	RPT LED	
D 645	LNJ308G81/1-3/X	LED	CD LED	
D 646	LNJ308G81/1-3/X	LED	FM/AM LED	
D 647	LNJ308G81/1-3/X	LED	EXT/CD-CH LED	
D 648	LNJ308G81/1-3/X	LED	1 LED	
D 649	LNJ308G81/1-3/X	LED	2 LED	
D 650	LNJ308G81/1-3/X	LED	3 LED	
D 651	LNJ308G81/1-3/X	LED	4 LED	
D 652	LNJ308G81/1-3/X	LED	5 LED	
D 653	LNJ308G81/1-3/X	LED	6 LED	
D 654	LNJ308G81/1-3/X	LED	SOUND	
D 655	LNJ308G81/1-3/X	LED	DISPLAY	

Item	Parts number	Parts name	Remarks	Area
D 656	LNJ308G81/1-3/X	LED	SCAN	
D 657	CL-190UB-X-X	LED	BBE LED	
D 659	NSPW310BS/BRS/	LED	LCD ILLUM.LED1	
D 660	NSPW310BS/BRS/	LED	LCD ILLUM.LED2	
D 670	MA3051/M/-X	ZENER DIODE		
D 671	MA3056/M/-X	ZENER DIODE		
D 680	MA3051/M/-X	ZENER DIODE		
D 691	MA3051/M/-X	ZENER DIODE		
D 692	MA152WK-X	SI DIODE		
D 831	MA3056/M/-X	ZENER DIODE		
IC302	LA4743B	IC		
IC680	RPM6938-SV4	IC		
IC691	LC75823W	IC		
JS690	QSW0793-001	ROTARY ENCODER		
Q 241	2SD601A/R/-X	TRANSISTOR		
Q 301	UN2211-X	TRANSISTOR		
Q 321	2SD1048/6-7/-X	TRANSISTOR		
Q 331	2SD1048/6-7/-X	TRANSISTOR		
Q 341	2SD1048/6-7/-X	TRANSISTOR		
Q 351	2SD1048/6-7/-X	TRANSISTOR		
R 183	NRSA02J-273X	MG RESISTOR		
R 184	NRSA02J-273X	MG RESISTOR		
R 193	NRSA02J-273X	MG RESISTOR		
R 194	NRSA02J-273X	MG RESISTOR		
R 241	NRSA02J-224X	MG RESISTOR		
R 242	NRSA02J-224X	MG RESISTOR		
R 243	NRSA02J-102X	MG RESISTOR		
R 244	NRSA02J-563X	MG RESISTOR		
R 245	NRSA02J-123X	MG RESISTOR		
R 246	NRSA02J-184X	MG RESISTOR		
R 247	NRSA02J-223X	MG RESISTOR		
R 248	NRSA02J-101X	MG RESISTOR		
R 249	NRSA02J-473X	MG RESISTOR		
R 306	NRSA02J-471X	MG RESISTOR		
R 316	NRSA02J-473X	MG RESISTOR		
R 321	NRSA02J-102X	MG RESISTOR		
R 322	NRSA02J-101X	MG RESISTOR		
R 325	NRSA02J-222X	MG RESISTOR		
R 331	NRSA02J-102X	MG RESISTOR		
R 332	NRSA02J-101X	MG RESISTOR		
R 335	NRSA02J-222X	MG RESISTOR		
R 341	NRSA02J-102X	MG RESISTOR		
R 342	NRSA02J-101X	MG RESISTOR		
R 345	NRSA02J-222X	MG RESISTOR		
R 351	NRSA02J-102X	MG RESISTOR		
R 352	NRSA02J-101X	MG RESISTOR		
R 355	NRSA02J-222X	MG RESISTOR		
R 602	NRSA02J-821X	MG RESISTOR		
R 603	NRSA02J-821X	MG RESISTOR		
R 604	NRSA02J-122X	MG RESISTOR		
R 605	NRSA02J-182X	MG RESISTOR		
R 606	NRSA02J-272X	MG RESISTOR		
R 608	NRSA02J-821X	MG RESISTOR		
R 609	NRSA02J-821X	MG RESISTOR		
R 610	NRSA02J-122X	MG RESISTOR		
R 611	NRSA02J-182X	MG RESISTOR		
R 612	NRSA02J-272X	MG RESISTOR		
R 613	NRSA02J-392X	MG RESISTOR		
R 614	NRSA02J-103X	MG RESISTOR		
R 616	NRSA02J-821X	MG RESISTOR		
R 617	NRSA02J-821X	MG RESISTOR		
R 618	NRSA02J-122X	MG RESISTOR		
R 619	NRSA02J-182X	MG RESISTOR		

■ Front board

Block No. 02

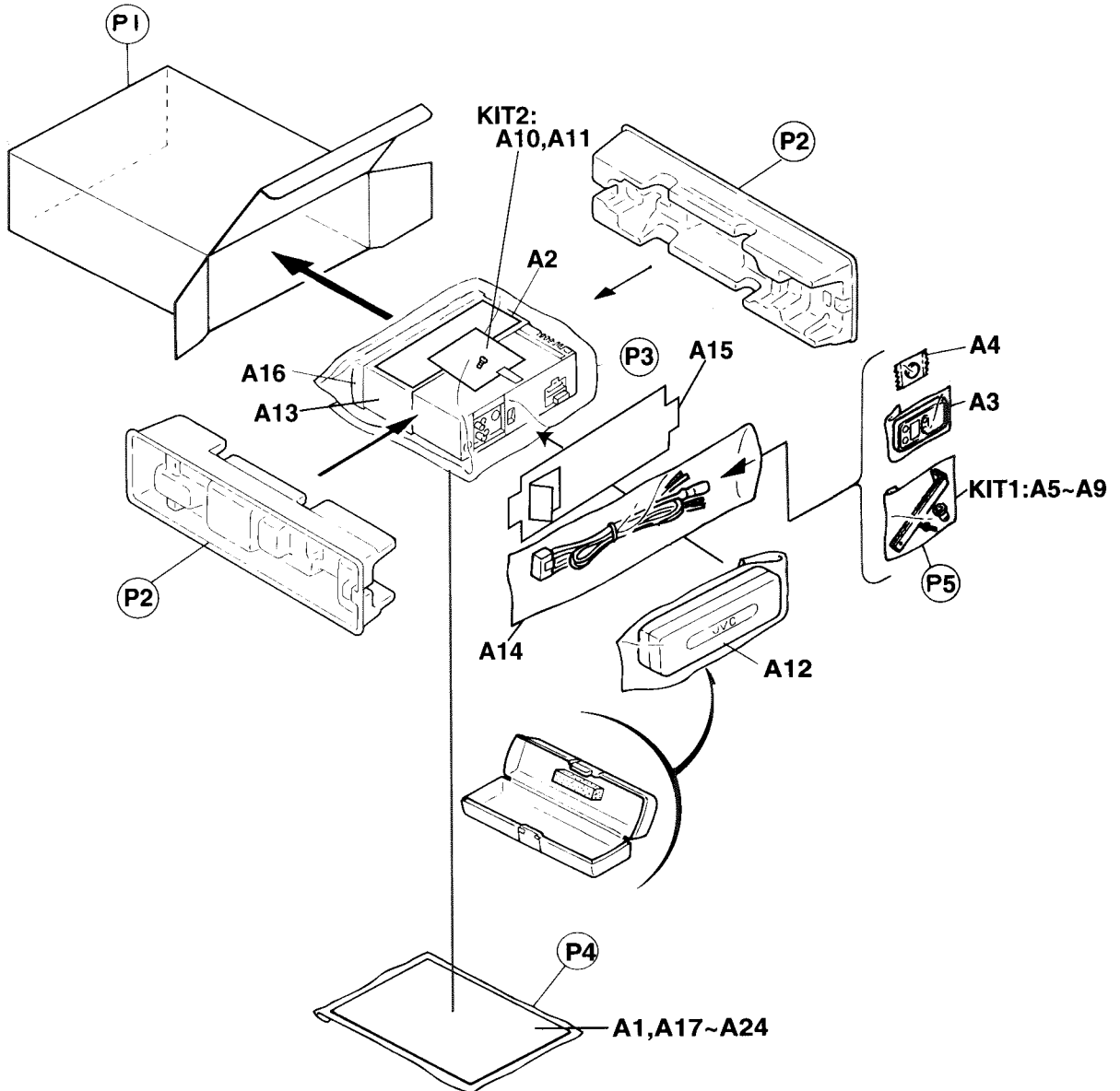
△	Item	Parts number	Parts name	Remarks	Area
	R 620	NRSA02J-272X	MG RESISTOR		
	R 631	NRSA02J-271X	MG RESISTOR		
	R 632	NRSA02J-271X	MG RESISTOR		
	R 633	NRSA02J-271X	MG RESISTOR		
	R 634	NRSA02J-271X	MG RESISTOR		
	R 635	NRSA02J-271X	MG RESISTOR		
	R 636	NRSA02J-271X	MG RESISTOR		
	R 637	NRSA02J-271X	MG RESISTOR		
	R 638	NRSA02J-271X	MG RESISTOR		
	R 639	NRSA02J-511X	MG RESISTOR		
	R 640	NRSA02J-511X	MG RESISTOR		
	R 641	NRSA02J-511X	MG RESISTOR		
	R 642	NRSA02J-511X	MG RESISTOR		
	R 643	NRSA02J-511X	MG RESISTOR		
	R 644	NRSA02J-511X	MG RESISTOR		
	R 645	NRSA02J-681X	MG RESISTOR		
	R 646	NRSA02J-681X	MG RESISTOR		
	R 647	NRSA02J-911X	MG RESISTOR		
	R 648	NRSA02J-911X	MG RESISTOR		
	R 649	NRSA02J-911X	MG RESISTOR		
	R 650	NRSA02J-911X	MG RESISTOR		
	R 651	NRSA02J-561X	MG RESISTOR		
	R 652	NRSA02J-152X	MG RESISTOR		
	R 671	NRSA02J-103X	MG RESISTOR		
	R 672	NRSA02J-471X	MG RESISTOR		
	R 681	NRSA02J-101X	MG RESISTOR		
	R 690	NRSA02J-221X	MG RESISTOR		
	R 691	NRSA02J-222X	MG RESISTOR		
	R 692	NRSA02J-222X	MG RESISTOR		
	R 693	NRSA02J-103X	MG RESISTOR		
	R 694	NRSA02J-103X	MG RESISTOR		
	R 695	NRSA02J-103X	MG RESISTOR		
	R 696	NRSA02J-103X	MG RESISTOR		
	R 697	NRSA02J-684X	MG RESISTOR		
	R 698	NRSA02J-154X	MG RESISTOR		
	R 837	NRS181J-470X	MG RESISTOR	KD-SX850	
	R 838	NRS181J-0R0X	MG RESISTOR	KD-SX850	
	S 601	NSW0124-001X	TACT SWITCH	POWER	
	S 602	NSW0124-001X	TACT SWITCH	SOUND	
	S 603	NSW0124-001X	TACT SWITCH	DISPLAY	
	S 604	NSW0124-001X	TACT SWITCH	SCAN	
	S 605	NSW0124-001X	TACT SWITCH	BBE	
	S 606	NSW0124-001X	TACT SWITCH	1 /VCR FUNC.	
	S 607	NSW0124-001X	TACT SWITCH	SELECT	
	S 608	NSW0124-001X	TACT SWITCH	2	
	S 609	NSW0124-001X	TACT SWITCH	3 /VCR PLAY	
	S 610	NSW0124-001X	TACT SWITCH	4 /VCR STOP	
	S 611	NSW0124-001X	TACT SWITCH	5 /VCR REW	
	S 612	NSW0124-001X	TACT SWITCH	6 /VCR FWD	
	S 613	NSW0124-001X	TACT SWITCH	F.SKIP/UP	
	S 614	NSW0124-001X	TACT SWITCH	EJECT	
	S 615	NSW0124-001X	TACT SWITCH	EXT./CD-CH	
	S 616	NSW0124-001X	TACT SWITCH	FM/AM	
	S 617	NSW0124-001X	TACT SWITCH	CD	
	S 618	NSW0124-001X	TACT SWITCH	RPT	
	S 619	NSW0124-001X	TACT SWITCH	MO/RND	
	S 620	NSW0124-001X	TACT SWITCH	B.SKIP/DOWN	

KD-SX850
 KD-SX750






Packing materials and accessories parts list

Block: No. **M 3 M M**



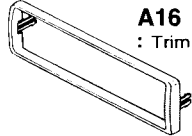
Block: No. **M 4 M M**



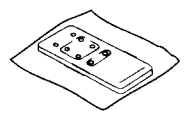
SCREW KIT 1

	A9 Hook		A6 Mount Bolt
	A5 Plug Nut		A7 Lock Nut
			A8 Washer


SCREW KIT 2

	A10 Screw
	A11 Sheet
	A16 : Trim Plate

A3: Remocon



A4 : Battery



■ Packing parts list

Block No. M3MM

△	Item	Parts number	Parts name	Q'ty	Description	Area
	P 1	FSPE3001-165	CARTON	1	KD-SX750	
		FSPE3001-167	CARTON	1	KD-SX850	
	P 2	FSPH1018-002	PAPER CUSHION	2		
	P 3	VPE3005-064	POLY BAG	1	SET(260X440X0.0	
	P 4	QPA01703505P	POLY BAG	1	INST.BOOK	
	P 5	QPA00801205	POLY BAG	1		

■ Accessories parts list

Block No. M4MM

△	Item	Parts number	Parts name	Q'ty	Description	Area
	A 1	FSUN3106-631	INSTRUCTIONS	1	(ENG SPA FRE)	
	A 2	LV41417-001A	CAUTION	1		
	A 3	RM-RK32	REMOCON	1	KD-SX850	
		RM-RK31	REMOCON	1	KD-SX750	
	A 4	QAB0014-001	BATTERY	1		
	A 5	VKZ4027-202	PLUG NUT	1		
	A 6	VKH4871-001SS	MOUNT BOLT	1		
	A 7	VKZ4328-001	LOCK NUT	1	FOR M5	
	A 8	WNS5000Z	WASHER	1		
	A 9	FSKL4010-002	HOOK	2		
	A 10	VKZ4777-001	MINI SCREW	1		
	A 11	FSYA4001-001	SHEET	1		
	A 12	FSJB3001-00A	HARD CASE	1		
	A 13	FSKM2004-002SSF	MOUNTING SLEEVE	1		
	A 14	QAM0013-005	16P CORD ASSY	1		
	A 15	FSPK4014-002	CARTON PARTITIO	1		
	A 16	FSJD2034-001	TRIM PLATE	1		
	A 17	FSUN3106-T631	INSTALL MANUAL	1	(ENG SPA FRE)	
	A 18	FSUD3107-001A	IMPORTANT SHEET	1		
	A 19	LV41679-001A	INFO. SHEET	1	BEFORE ELECT CO	
	A 20	LVT0326-001C	TROUBLE SHOOTIN	1		
	A 21	BT-51018-1	WARRANTY CARD	1	FOR USA ONLY	
	A 22	BT-52001-4	WARRANTY CARD	1	FOR CANADA ONLY	
	A 23	BT-51020-2	J=REGIST CARD	1	FOR USA ONLY	
	A 24	BT-20071B	JVC CENTER LIST	1	FOR CANADA ONLY	
	KIT 1	KDGS717K-SCREW1	SCREW PARTS KIT	1	A5-A9	
	KIT 2	KDGS727J-SCREW2	SCREW PARTS KIT	1	A10-A11	


KD-SX850
KD-SX750

JVC

VICTOR COMPANY OF JAPAN, LIMITED

MOBILE ELECTRONICS DIVISION, 10-1, 1chome, Ohwatari-machi, Maebashi-city 371-8543, Japan

(No. 49540)

 Printed in Japan
200002(M)